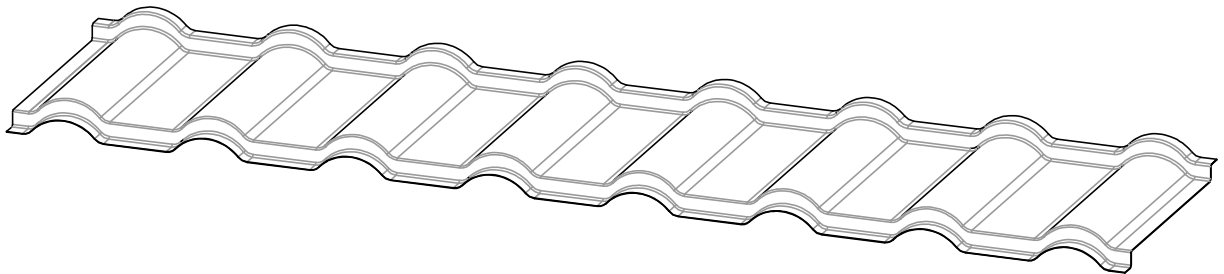


INSTALLATION MANUAL



Monteciano[™]
STEEL TILE



ideal roofing
Company Limited, Manufacturers

Head Office
1418 Michael St.,
Ottawa, Ont., Canada K1B 3R2
TOLL FREE 1-800-267-0860
TEL. 1-613-746-3206
FAX 1-613-746-0445

Contents

	Page
Preparation, Storage, Tools, Safety Tips.....	2
Maintenance, Touch Up Paint, Important Notice.....	3
Installation Details Overview.....	4
Eave Detail.....	5
Gable Detail.....	6
Wall Flashing Details.....	7
Valley Detail.....	8
Ridge Details.....	9
Hip Details.....	10
Transition Flashing Details (high to low pitch).....	11
Plumbing Vent and Snow Guard Details.....	12
Accessories and Flashings for the “ Monteciano™ ” tile..	13
Estimate Sheet.....	14-15



Preparation

- The “**Monteciano™**” steel roofing tile should be installed on roofs with a minimum pitch of 4/12.
- Inspect the roof for weak or uneven sections. Repair these areas before installing the “**Monteciano™**” tile.
- The “**Monteciano™**” tile can be installed over existing shingles or on new construction.
- For re-roofing over existing asphalt shingles, inspect the deck underneath to ensure a solid base. Correct or remove curled up shingles then apply a synthetic underlayment prior to installing the new “**Monteciano™**” tile.
- For new construction, use waterproof peel and stick membrane “High Temperature” on the entire roof.

Storage

- Storage time should be minimized by installing the “**Monteciano™**” tile as soon as possible after delivery. If the “**Monteciano™**” tile must be stored for an extended period, the ideal storage place is under a roof in a cool, dry and well ventilated area.
- When outdoor storage is unavoidable, the following is recommended:
 - 1- Use good quality covers over boxes,
 - 2- Block boxes off the ground,
 - 3- Store away from chemically aggressive substances (e.g. salt, cement, fertilizer, diesel, oil, paint, and grease).

Tools

- Electric screw gun with adjustable torque.
- Tin snips or nibblers.
- Measuring tape.
- Screw (nail) apron.

Safety Tips

- Working gloves.
- Proper eye protection.
- Hard hat.
- Rubber-soled shoes (Steel roofing can be slippery when wet or icy).
- Properly secure material on the roof.
- Safety harness.
- Knee pads.
- Avoid installing on a windy day.
- Avoid having loose materials and tools on the roof.
- Secure area below work.
- Use proper attachment for fall protection.

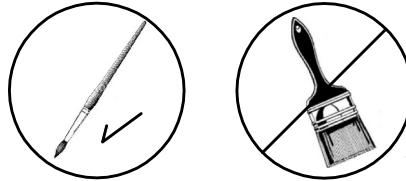


Maintenance

- To avoid scratching the paint on the “Monteciano™” tile, make sure to clean up the bottom of your rubber-soled shoes from any stones or debris before stepping on the roof.
- Avoid walking on the high ribs of the panels. Step always on the lower sections to avoid any damage.
- Inspect and remove any debris (leaves, nails, ...) on an annual basis.
- Use touch up paint to protect any scratches.

Touch Up Paint

- In the event of minor scratches, the installer should use a fine detail brush to cover only the scratch using minimum amount of paint. For multiple scratches or major paint damage, replace immediately the affected panels.



Note: The shine of the touch up paint might have a slight difference from the original pre painted steel.

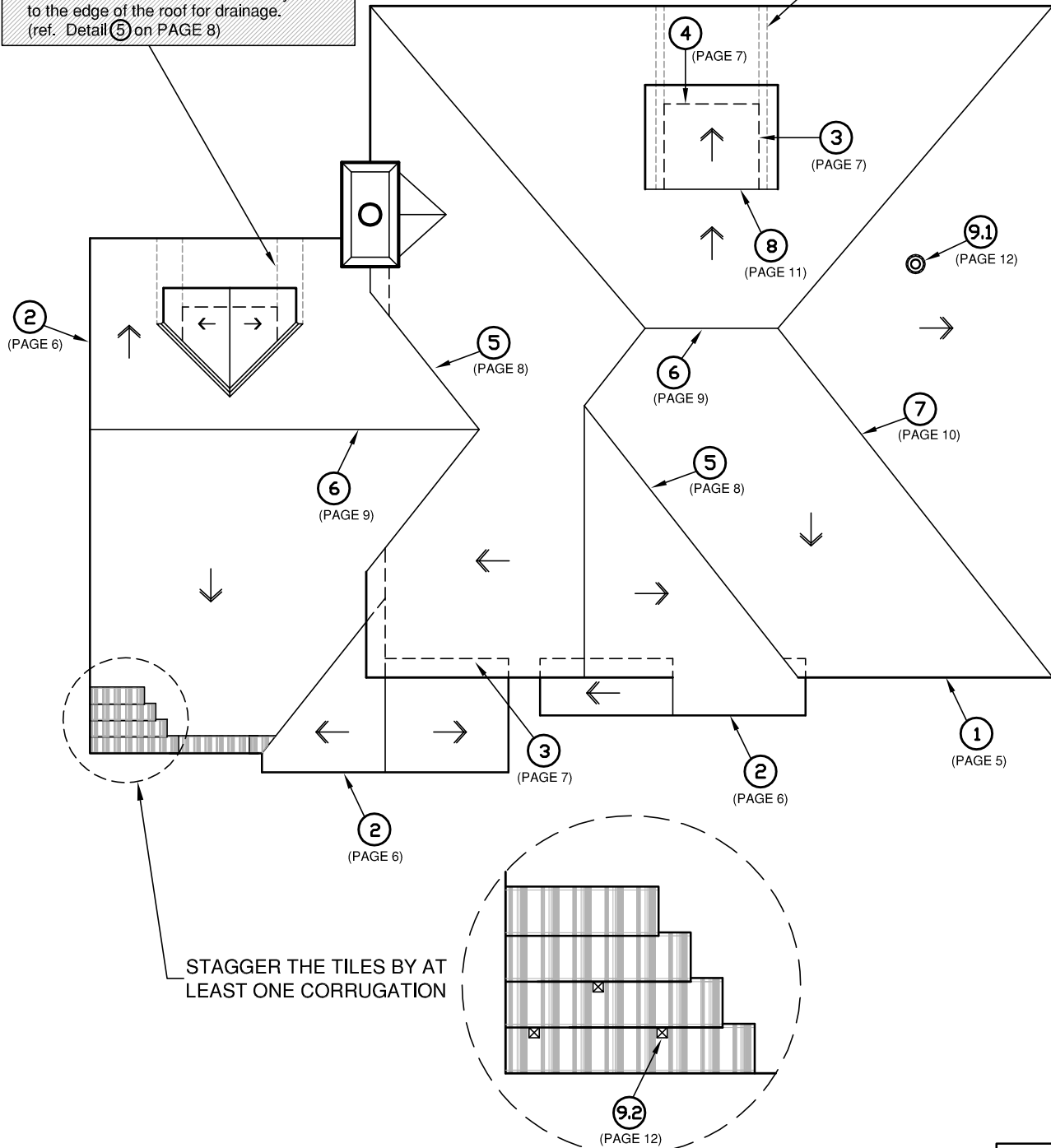
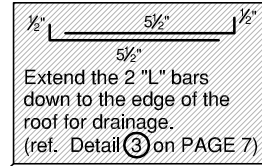
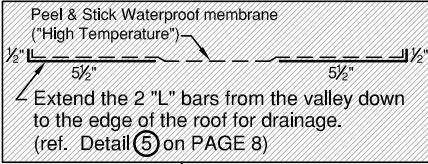
Important Notice

- When ordering the “Monteciano™” tile, it is always preferable to order all items of the same color at the same time to avoid slight color differences between batches.
- The material should be checked against the shipping list as soon as it is received. Any damage or shortage of material on the bill of lading should be noted and reported to the driver or to our offices immediately.
- Do not use pressure treated lumber in direct contact with the “Monteciano™” tile.
- Ideal Roofing will deliver the “Monteciano™” tile in boxes (9 pieces per box, equivalent to 50 lbs in weight) to its dealers only. No job site delivery will be done by Ideal Roofing.
- The “Monteciano™” tile cannot be installed on a concave or convex shaped roofs.
- Failing to apply any of the above instructions will result in total refusal of any claim to Ideal Roofing.

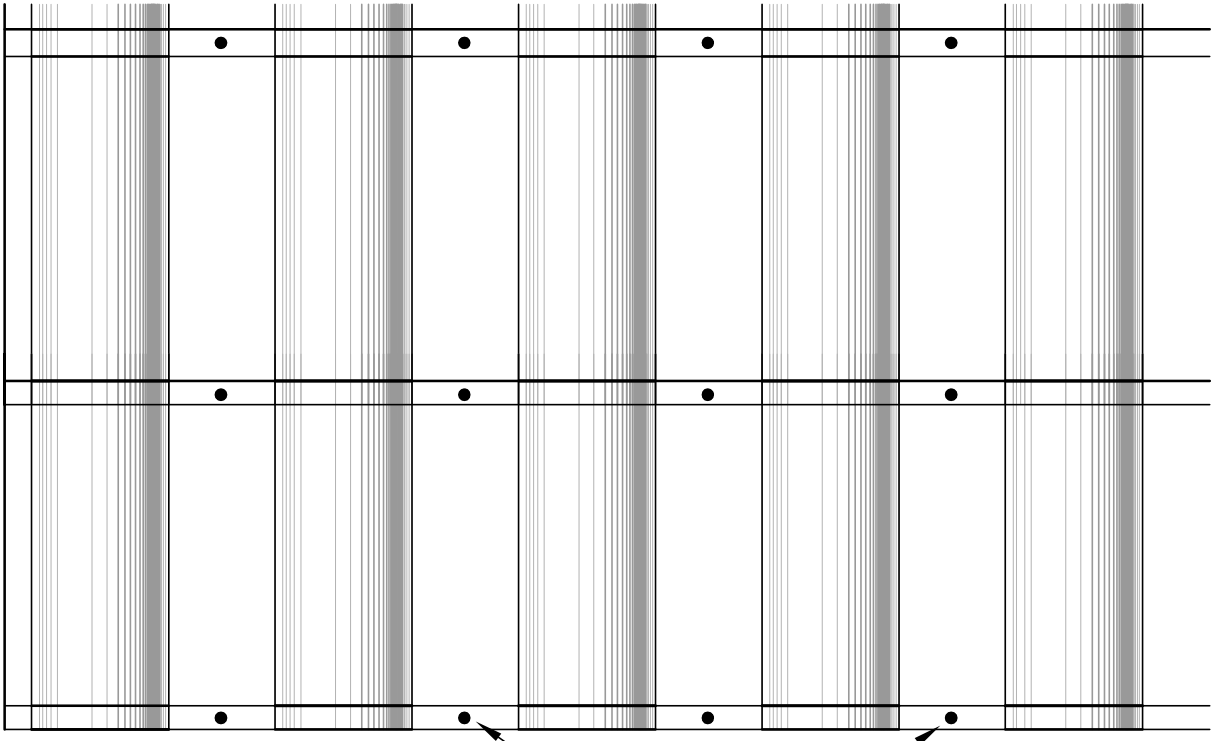
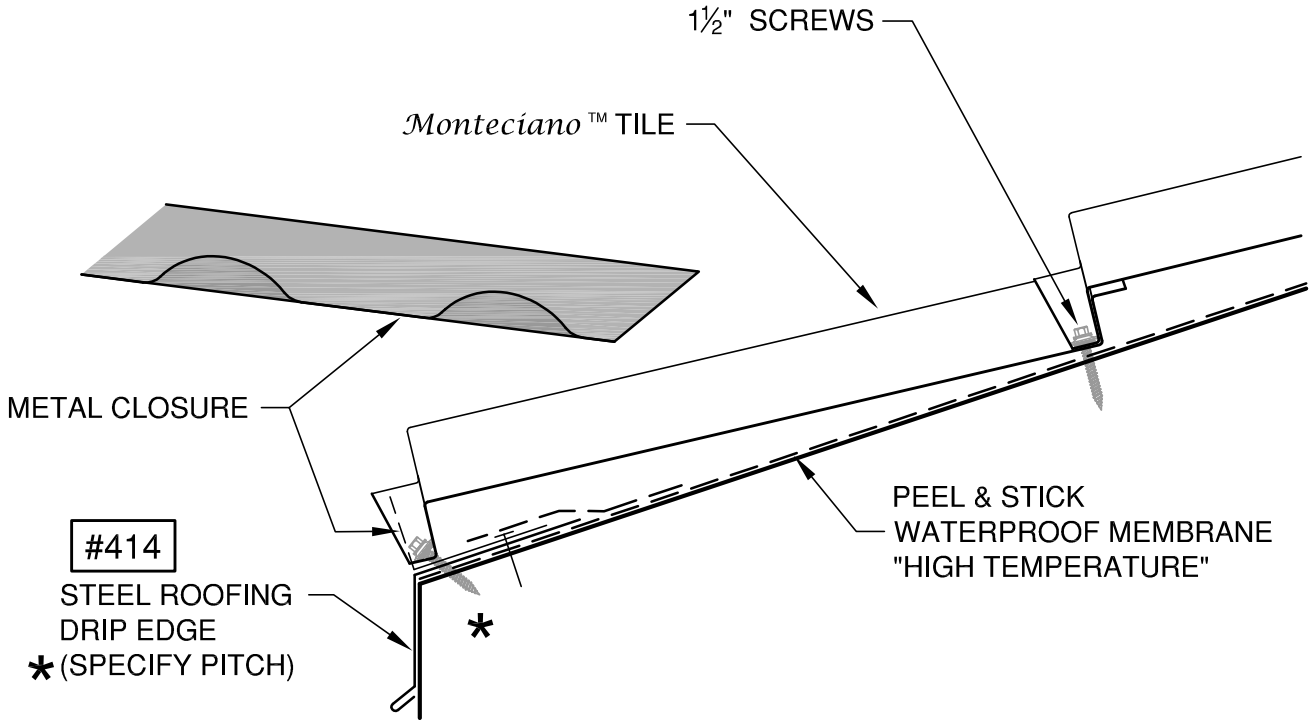
INSTALLATION DETAILS OVERVIEW

IMPORTANT NOTE:
START INSTALLING THE DORMERS WITH VALLEYS
BEFORE DOING THE MAIN ROOF.

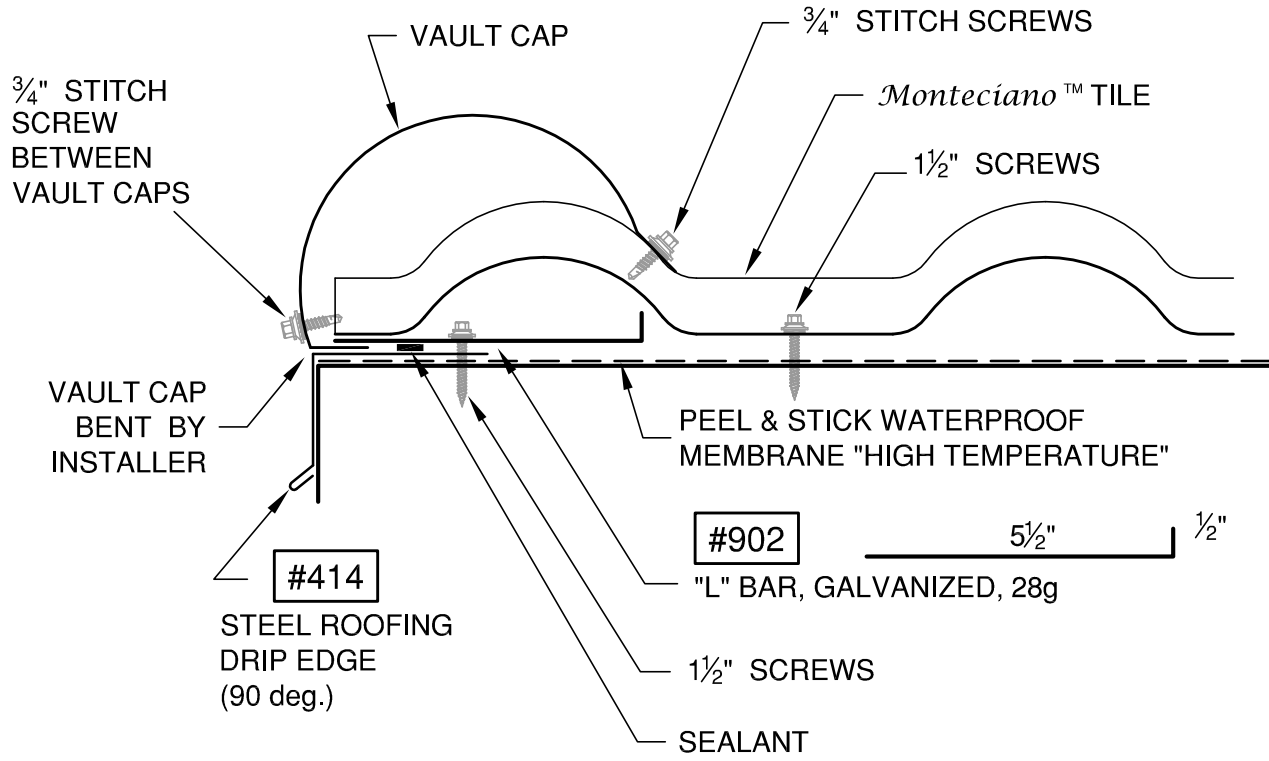
(WHEN THE WATER FROM THE VALLEY DRAINS ONTO THE MAIN ROOF...)



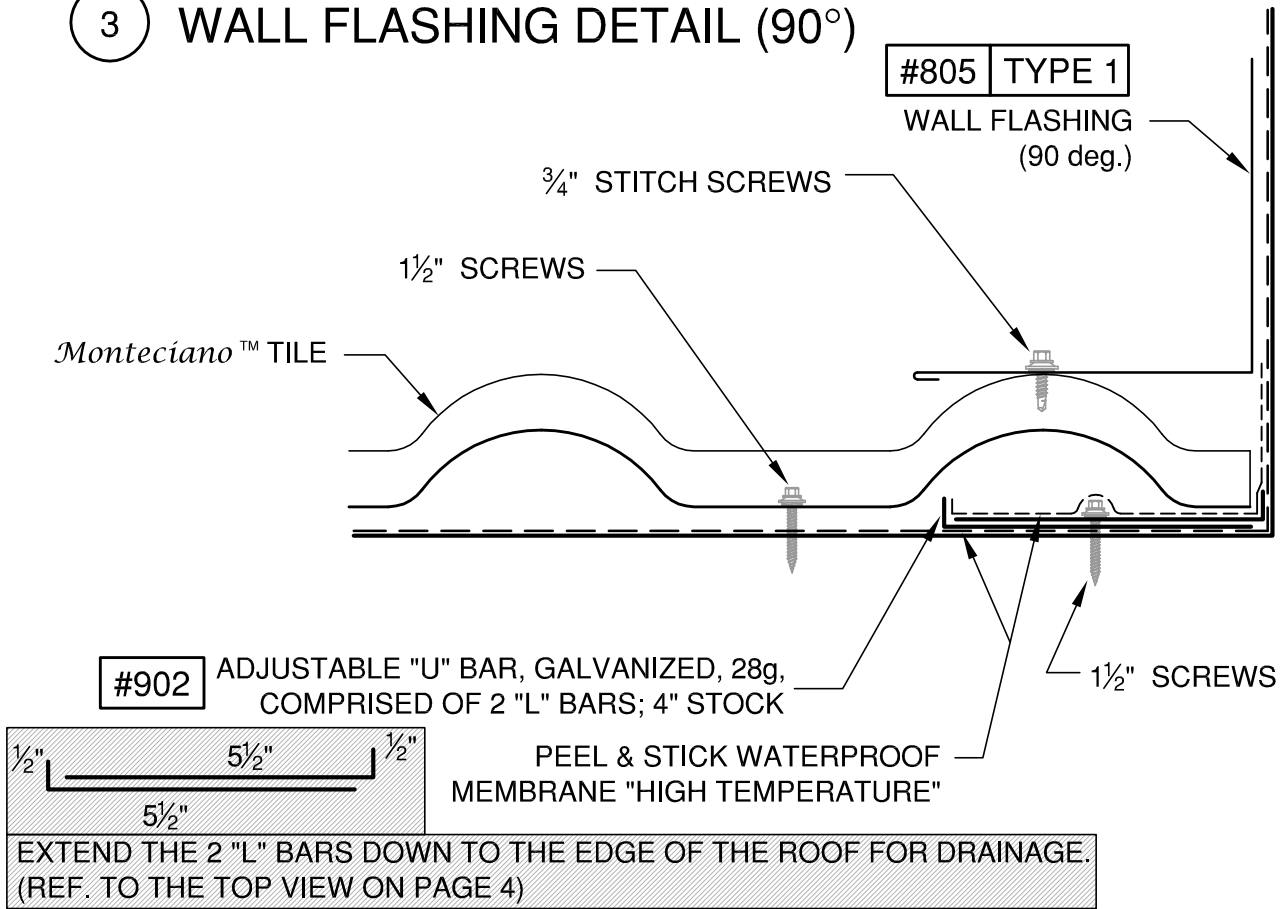
1 EAVE DETAIL



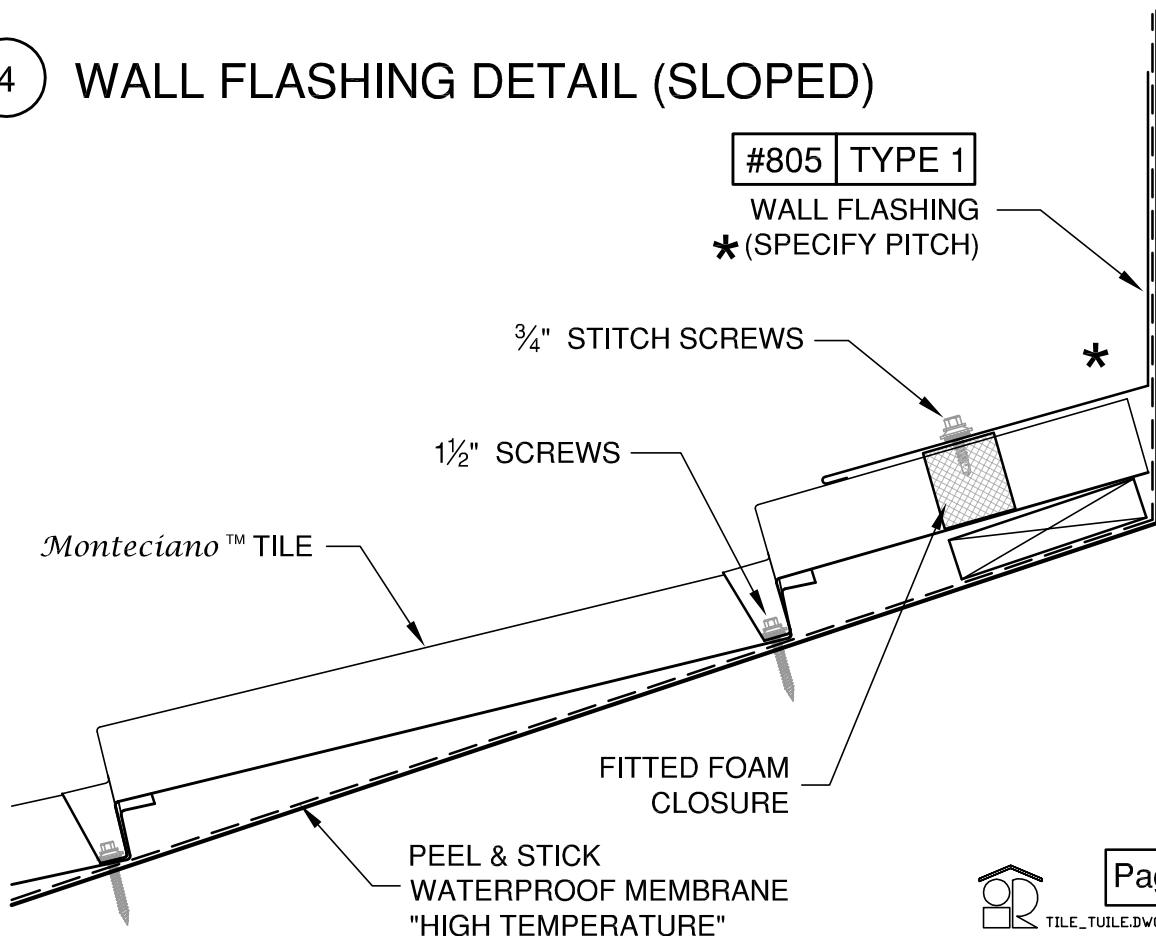
2 GABLE END DETAIL



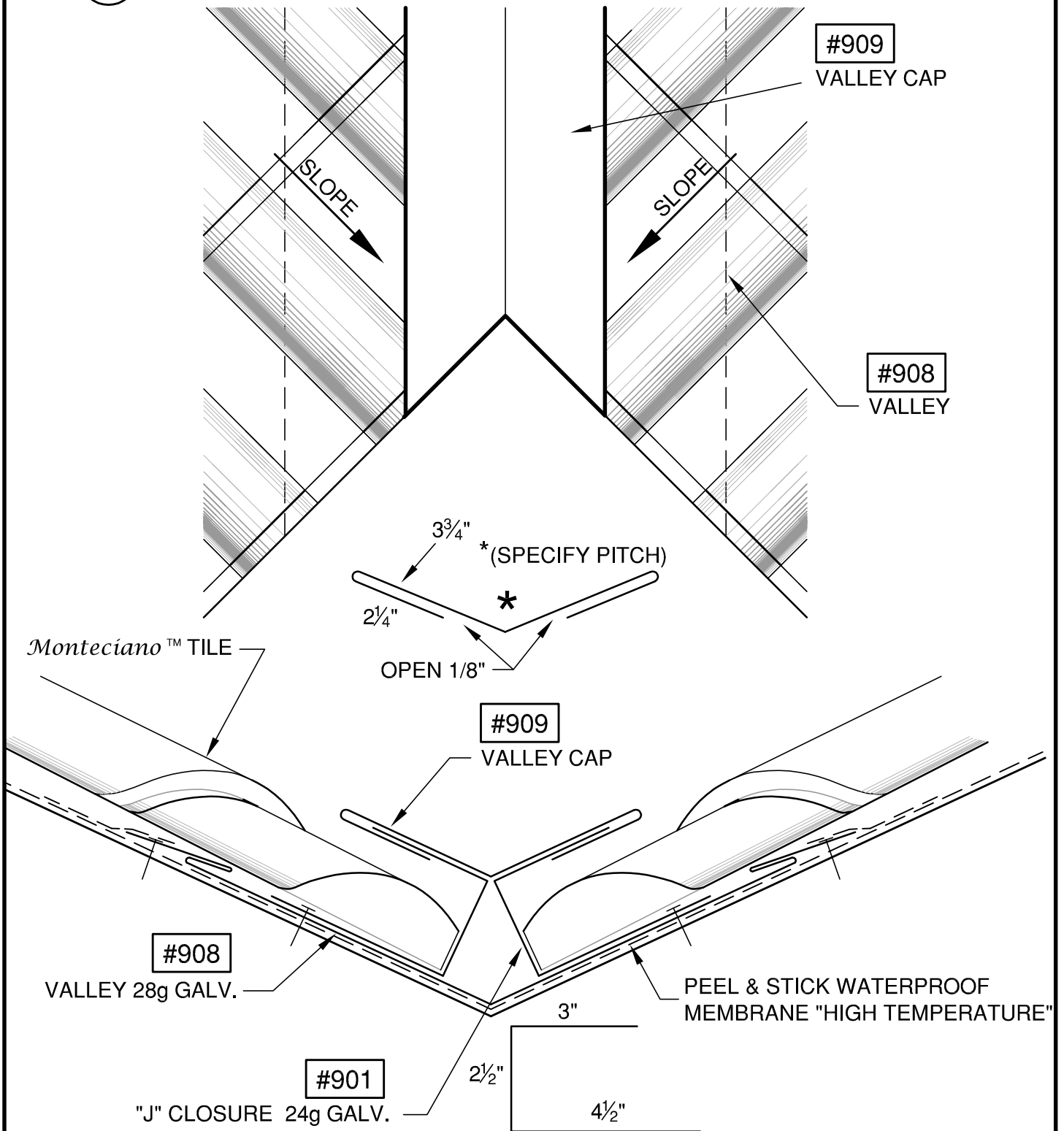
3 WALL FLASHING DETAIL (90°)



4 WALL FLASHING DETAIL (SLOPED)

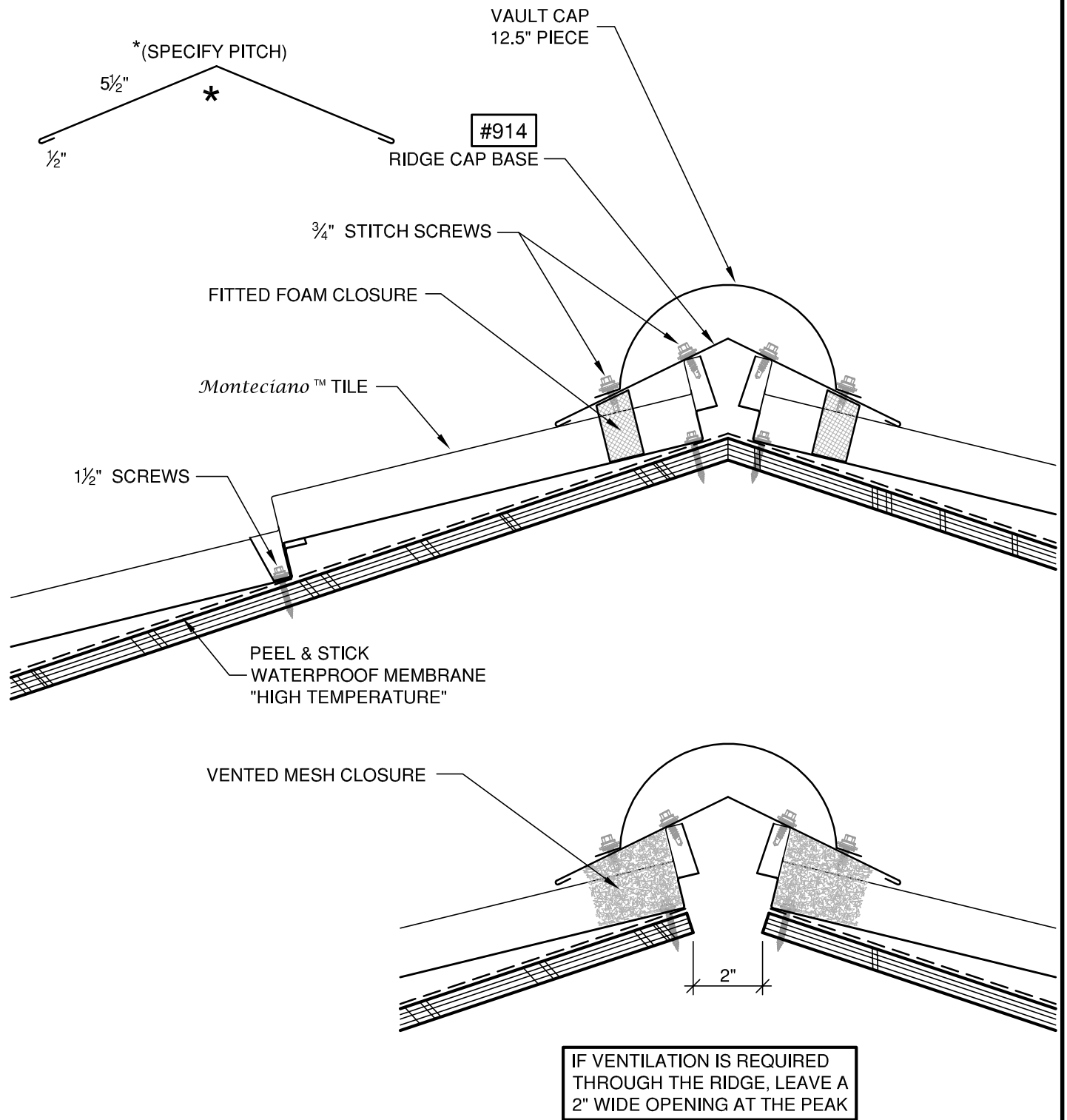


5 VALLEY DETAIL

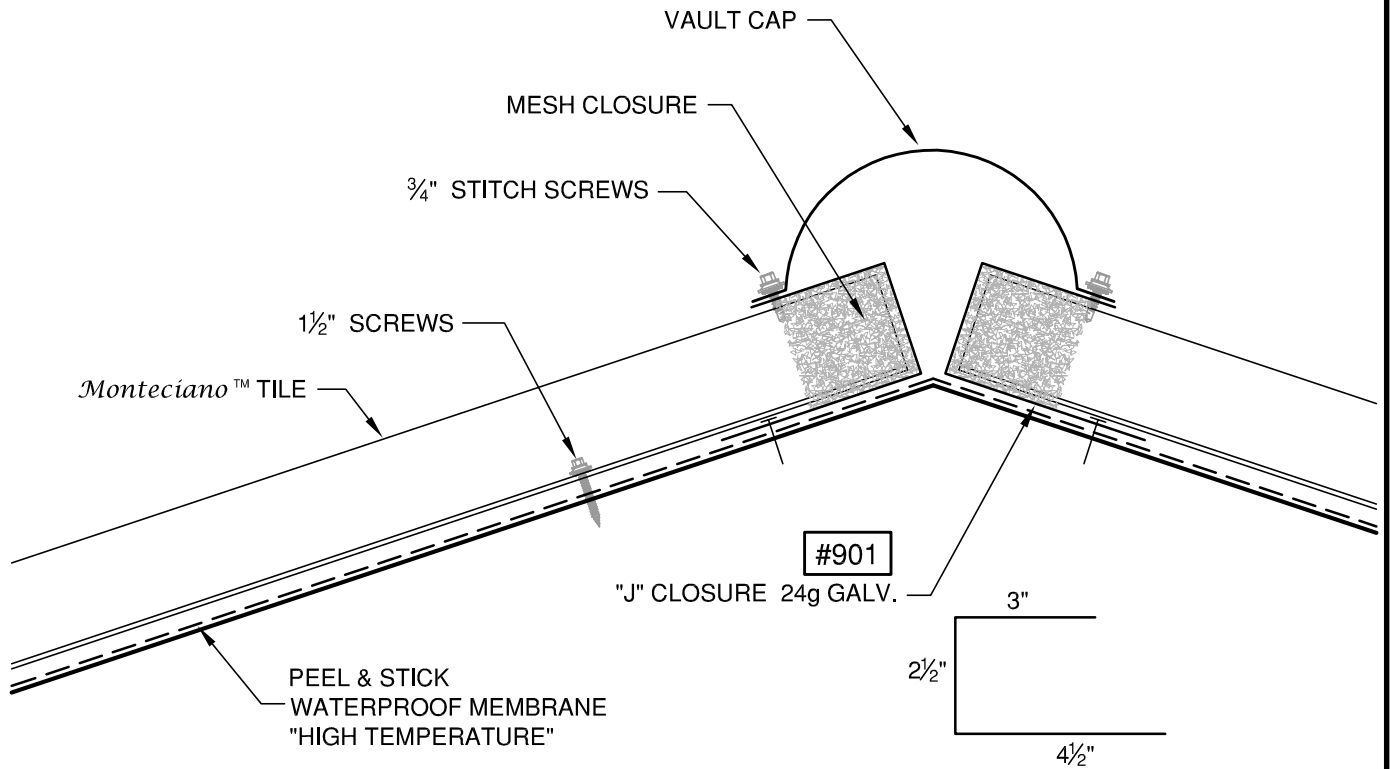


WHEN THE WATER FROM THE VALLEY DRAINS ONTO THE MAIN ROOF...
 EXTEND THE 2 "L" BARS FROM THE VALLEY DOWN TO THE EDGE OF THE ROOF FOR DRAINAGE. (REF. TO THE TOP VIEW ON PAGE 4)

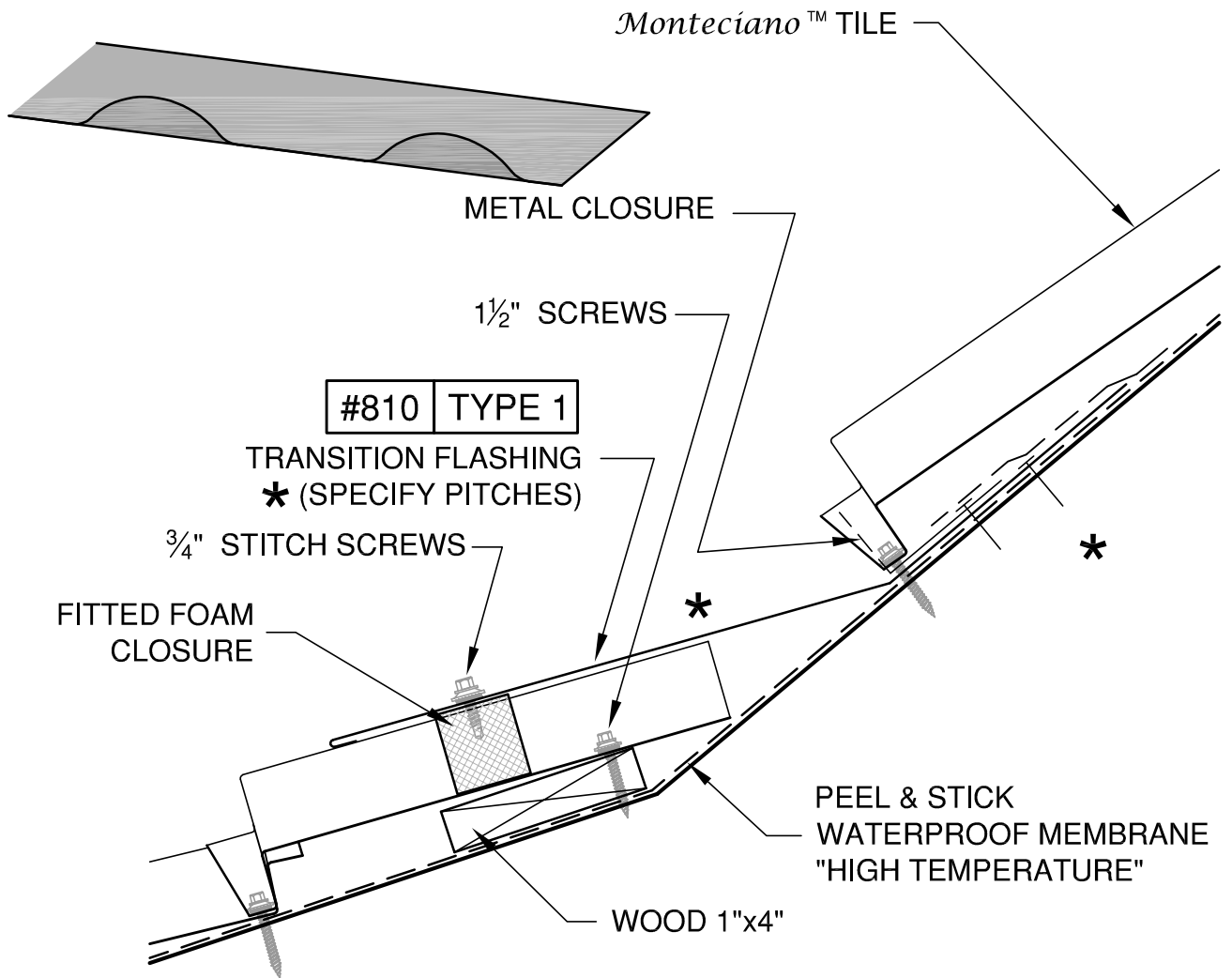
6 RIDGE DETAIL



7 HIP DETAIL



8 TRANSITION FLASHING DETAIL (high to low pitch)

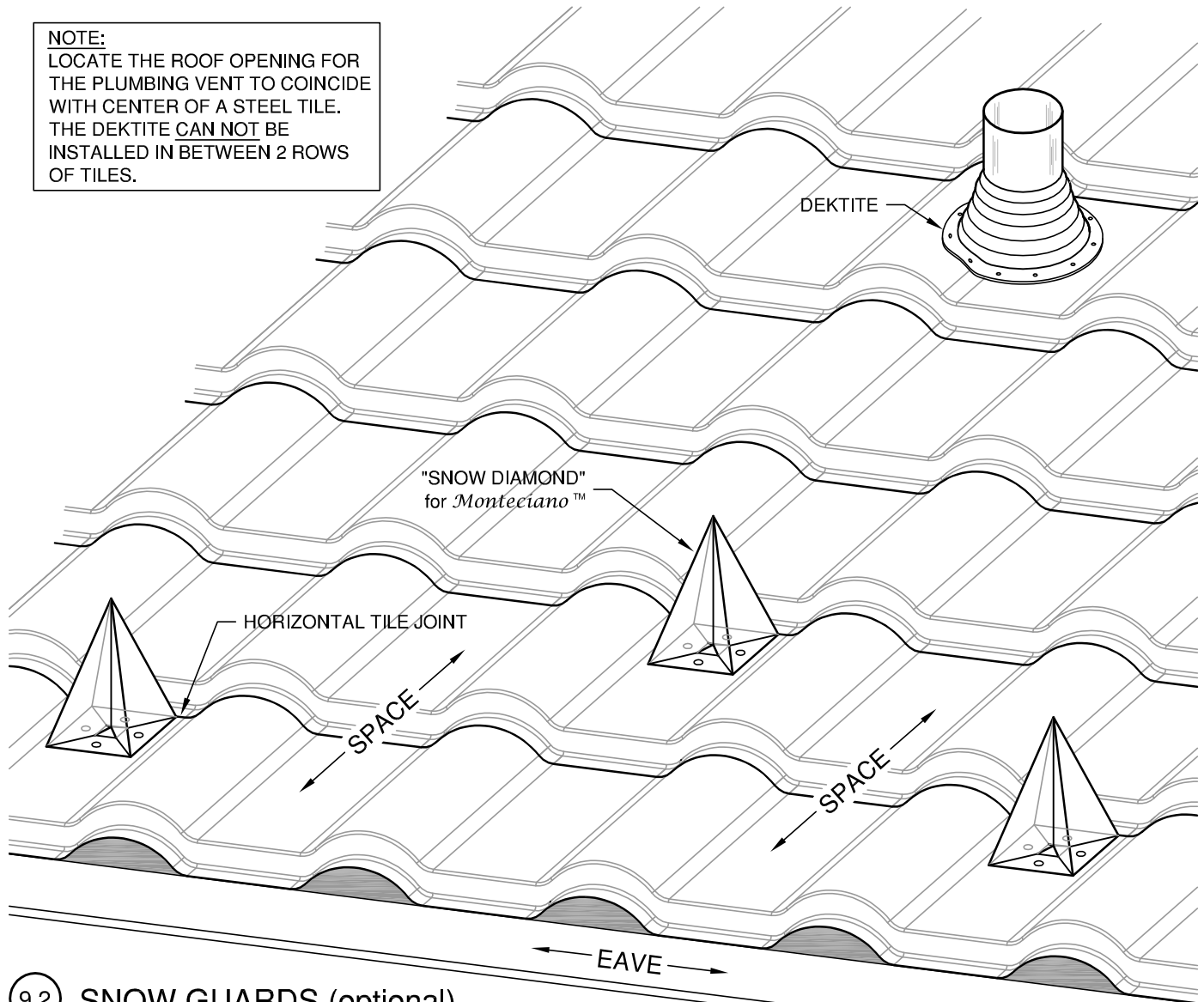


9.1 PLUMBING VENT DETAIL

-ONCE THE STEEL TILES ARE INSTALLED, CUT THE "DEKTITE" TO THE APPROPRIATE DIAMETER, AND SLIDE OVER PIPE. SECURE THE DEKTITE'S BASE WITH A SEALANT (BETWEEN THE BASE AND ROOFING) THEN FASTEN.

NOTE:

LOCATE THE ROOF OPENING FOR THE PLUMBING VENT TO COINCIDE WITH CENTER OF A STEEL TILE. THE DEKTITE CAN NOT BE INSTALLED IN BETWEEN 2 ROWS OF TILES.



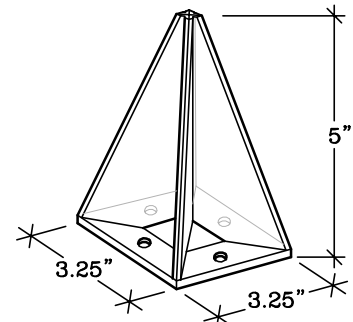
9.2 SNOW GUARDS (optional) ("SNOW DIAMOND" for *Monteciano*™)

1- Spacing

- "Snow Diamond" for *Monteciano*™ can be installed along the eaves, in areas where falling ice & snow is a concern.
- Install the "Snow Diamonds" up against a horizontal tile joint, in 2 rows (staggered). Skip one space between the corrugations for the next "Snow Diamond".

2- Installation

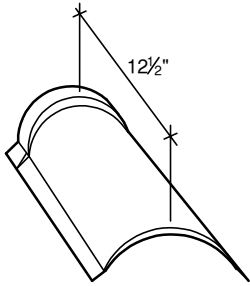

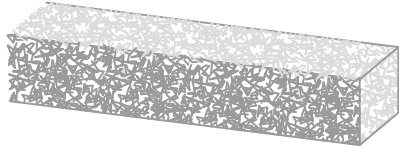
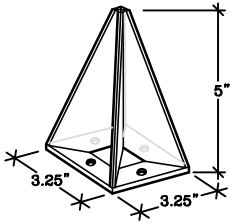
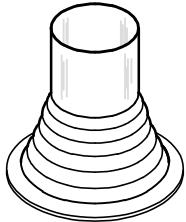
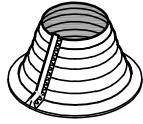
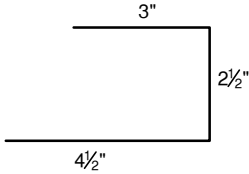
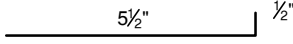
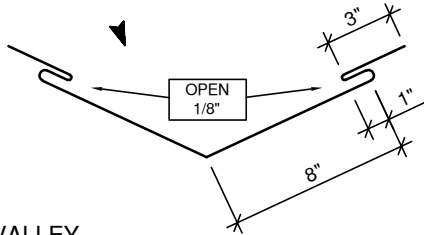
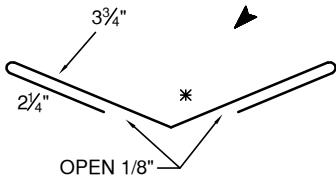
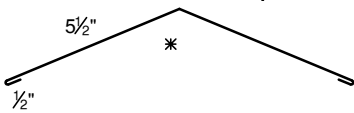
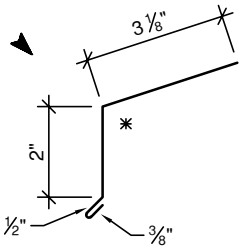
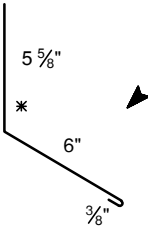
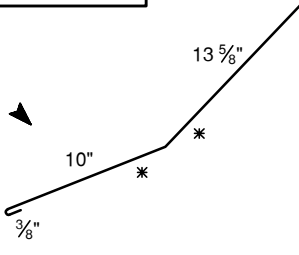
- a) Spread bead of sealant evenly underneath the Snow Diamond's base.
- b) Place the Snow Diamond in position on metal surface by applying light and even pressure. Insure solid backing underneath the Snow Diamond.
- c) Use screws with neoprene washers through pilot holes in the Snow Diamond and tighten to cause approximately 50% compression in neoprene washers.
- d) Four screws to be used per Snow Diamond.



"SNOW DIAMOND" for *Monteciano*™



ACCESSORIES AND FLASHINGS FOR THE MONTECIANO TILE

 <p>VAULT CAP (RIDGES, GABLES & HIP)</p>	 <p>FITTED FOAM CLOSURE (36") ← (RIDGES, SLOPED WALL FLASHINGS & TRANSITION FLASHINGS) (OVER THE TILES) ←</p>	 <p>VENTED MESH CLOSURE (30' ROLL) (RIDGES & HIP)</p>
 <p>"SNOW DIAMOND" for Monteciano™</p>	 <p>"DEKTITE" #4 (#4 FITS 3" TO 6" DIAM.)</p>	 <p>"DEKTITE RETROFIT" #802 (#802 FITS 2" TO 7-1/4" DIAM.)</p>
<p>#901</p>  <p>"J" CLOSURE (10" GIRTH, 24G, GALVANIZED)</p>	<p>#902</p>  <p>"L" BAR (6" GIRTH, 28G, GALVANIZED)</p>	<p>#908</p>  <p>VALLEY (24" GIRTH, 28G, GALVANIZED)</p>
<p>#909</p>  <p>VALLEY CAP (12" GIRTH, 29G) * SPECIFY PITCH</p>	<p>#914</p>  <p>RIDGE CAP BASE (12" GIRTH, 29G) * SPECIFY PITCH</p>	<p>#414</p>  <p>STEEL ROOFING DRIP EDGE (6" GIRTH, 29G) * SPECIFY PITCH</p>
<p>#805 TYPE 1</p>  <p>WALL FLASHING (12" GIRTH, 29G) * SPECIFY PITCH</p>	<p>#810 TYPE 1</p>  <p>TRANSITION FLASHING (24" GIRTH, 29G) * SPECIFY PITCHES</p>	



Estimate Sheet (Monteciano™ Tiles)

Company: _____

City: _____

Contact: _____

Phone: _____

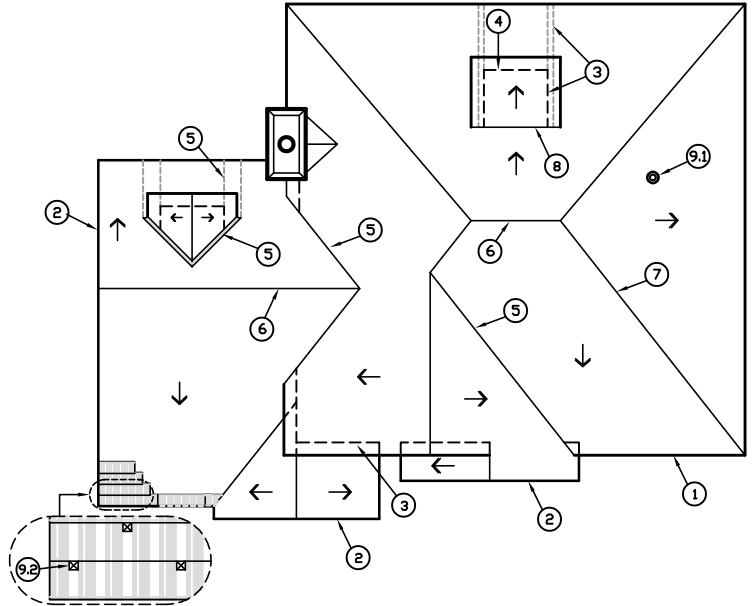
Fax: _____

Email: _____

Job name: _____

Job address: _____

Colour: _____



Steel Tiles

9 tiles per box/50 sq.ft per box

Total Roof area _____ + 50 = _____ Boxes

Total Boxes x \$ _____ per box

Total \$ _____

1 Eave detail

- Starter #414 (10 ft) Pitch: _____

Total Length _____ + 10' = _____ x \$ _____ per piece = \$ _____

- Metal Closure (to cover 45 in)

Total Length (lin.ft.) _____ x \$ _____ per lin. ft. = \$ _____

2 Gable End Detail

- Starter #414 (10 ft) Pitch: 90°

Total Length _____ + 10' = _____ x \$ _____ per piece = \$ _____

- Vault Cap (12.5 in)

Total Length _____ + 12.5" = _____ x \$ _____ per piece = \$ _____

- "L" bar #902 28g galv. (10 ft)

Total Length _____ + 10' = _____ x \$ _____ per piece = \$ _____

3 Wall Flashing Detail 90°

- Wall trim #805 type 1 (10 ft) Pitch: 90°

Total Length _____ + 10' = _____ x \$ _____ per piece = \$ _____

- "L" bar #902 28g galv. (10 ft) x2

Total Length _____ + 10' = _____ x \$ _____ per piece = \$ _____

4 Wall Flashing Detail (Slope)

- Wall trim #805 type 1 (10 ft) Pitch: _____

Total Length _____ + 10' = _____ x \$ _____ per piece = \$ _____

- Fitted Foam Closure for Monteciano (36in)

Total Length (lin.ft.) _____ x \$ _____ per lin. ft. = \$ _____

5 Valley Detail

- Valley #908 28g galv. (10 ft)

Total Length _____ + 10' = _____ x \$ _____ per piece = \$ _____

- "J" Closure #901 24g galv. (10 ft) x2

Total Length _____ + 10' = _____ x \$ _____ per piece = \$ _____

- Valley Cap #909 (10 ft) Pitch: _____

Total Length _____ + 10' = _____ x \$ _____ per piece = \$ _____

- "L" bar #902 28g galv. (10 ft) x2

Total Length _____ + 10' = _____ x \$ _____ per piece = \$ _____



6 Ridge Detail

- Vault Cap (12.5 in) Total Length _____ + 12.5"= _____ x \$ _____ per piece = \$ _____
- Ridge Cap Base #914 (10 ft) Pitch: _____ Total Length _____ ÷ 10' = _____ x \$ _____ per piece = \$ _____
- Fitted Foam Closure for Monteciano (36in) Total Length (lin. ft.) _____ x \$ _____ per lin. ft. = \$ _____
- Vented Mesh Closure (30' rolls) Total Length _____ ÷ 30' = _____ x \$ _____ per roll = \$ _____

7 Hip Detail

- Vault Cap (12.5 in) Total Length _____ + 12.5"= _____ x \$ _____ per piece = \$ _____
- "J" Closure #901 24g galv. (10 ft) x2 Total Length _____ ÷ 10' = _____ x \$ _____ per piece = \$ _____
- Vented Mesh Closure (30' rolls) Total Length _____ ÷ 30' = _____ x \$ _____ per roll = \$ _____

8 Transition Flashing Detail

- Metal Closure (to cover 45 in) Total Length (lin. ft.) _____ x \$ _____ per lin. ft. = \$ _____
- Transition Flashing #810 Type 1 (10') Total Length _____ ÷ 10' = _____ x \$ _____ per lin. ft. = \$ _____
Upper Pitch: _____ Lower Pitch: _____
- Fitted Foam Closure for Monteciano (36in) Total Length (lin. ft.) _____ x \$ _____ per lin. ft. = \$ _____

Accessories

- Metal to Wood pre-painted #9 X 1-1/2" Total per/100 _____ x \$ _____ per/100 = \$ _____
- Stitch Screw pre-painted #8-18 X 3/4" Total per/100 _____ x \$ _____ per/100 = \$ _____
- Flat Sheet (4' x 10') pre-painted Sheet Total _____ x \$ _____ per sheet = \$ _____
- 9.1** - Dektite "pipe" (#3, #4 & #8) Total Pieces _____ x \$ _____ per piece = \$ _____
- Dektite "High Temp." (#8 HT) Total Pieces _____ x \$ _____ per piece = \$ _____
- Dektite Retrofit (#802) Total Pieces _____ x \$ _____ per piece = \$ _____
- Touch-up paint (10oz) Can (10 oz.) _____ x \$ _____ per can = \$ _____
- 9.2** - Snow Diamonds for Monteciano Total Pieces _____ x \$ _____ per piece = \$ _____

Total Material Cost \$ _____

Note: Consult our installation manual
for more details on flashings
& accessories

