

INSTALLATION MANUAL



STEEL SHINGLES



ideal roofing
Company Limited, Manufacturers

Head Office
1418 Michael St.,
Ottawa, Ont., Canada K1B 3R2
TOLL FREE 1-800-267-0860
TEL. 1-613-746-3206
FAX 1-613-746-0445

Contents

	Page
Installation, Storage, Tools.....	2
Safety Tips, Maintenance, Touch Up Paint, Important Notice..	3
Direction of Application.....	4
Installation Details Overview.....	5
Eave and Gable Details.....	6
Wall Flashing Details.....	7
Valley Detail.....	8
Cottage Roof Details.....	9
Transition Flashing Detail (high to low pitch).....	10
Transition Flashing Details (low to high pitch).....	11
Ridge Details.....	12
Half Ridge Cap Details.....	13
Plumbing Vent and Hydro Mast Details.....	14
Snow Guard Detail.....	15
Flashings & Trims.....	16
Appendix "A" – Roof Bracket.....	17
Estimate Sheet.....	18-19



Installation

- The “**Wakefield Bridge**” steel shingles must be installed on roofs with a minimum pitch of 4/12.
- For the best results, **Ideal Roofing** recommends the removal of the asphalt shingles prior to installing the “**Wakefield Bridge**”. First inspect the deck underneath and replace any damaged decking then apply the underlayment. Consult your local distributor for the choice of the appropriate underlayment.
- For re-roofing over existing asphalt shingles, inspect the deck underneath to ensure a solid base. Correct or remove curled up shingles then apply a synthetic waterproof underlayment before installing the “**Wakefield Bridge**”. **This application requires 1 ½” long screws and starter #815.**
- For new construction and in climates that experience freezing temperatures and (or) high winds, use waterproof peel and stick membrane on the first 36” from the eave, 12” from the edge of the gable, 36” on each side of the valley, 12” around skylights and chimneys. For the remainder of the roof, use synthetic waterproof underlayment. On roofs with multiple slope variations and dormers, the use of peel and stick membrane on the entire roof surface is highly recommended. Consult your local distributor for the choice of the appropriate underlayment. **This application requires the starter #815.**

Storage

- Storage time should be minimized by installing the metal shingles as soon as possible. If shingles must be stored for an extended period, the ideal storage place is under a roof in a cool, dry and well ventilated area.
- When outdoor storage is unavoidable, the following is recommended:
 - 1- Use good quality covers over stacks,
 - 2- Block bundles off the ground,
 - 3- Store away from chemically aggressive substances (e.g. salt, cement, fertilizer, diesel, oil, paint, and grease).

Tools

- Electric screw gun with adjustable torque.
- Tin snips or nibblers.
- Measuring tape.
- Screw (nail) apron.
- Rubber mallet.
- Locking sheet metal pliers (“Vice Grip” type).
- Folding tool.



Safety Tips

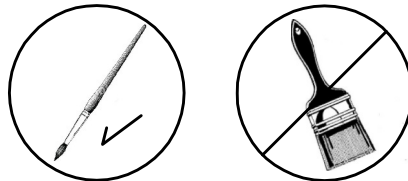
- *Working gloves.*
- *Proper eye protection.*
- *Hard hat.*
- *Rubber-soled shoes (Steel roofing can be slippery when wet or icy).*
- *Properly secure material on the roof.*
- *Safety harness.*
- *Knee pads.*
- *Avoid installing on a windy day.*
- *Avoid having loose materials and tools on the roof.*
- *Avoid walking on the locks/seams of the shingles.*
- *Secure area below work.*
- *Use proper attachment for fall protection.*

Maintenance

- *When walking on the roof, avoid stepping on the interlocks of the steel shingles.*
- *To avoid scratching the paint on the “Wakefield Bridge” Steel Shingles, make sure to clean up the bottom of your rubber-soled shoes from any stones or debris before stepping on the roof*
- *Inspect and remove any debris (leaves, nails, ...) on an annual basis*

Touch Up Paint

- *In the event of minor scratches, the installer should use a fine detail brush to cover only the scratch using minimum amount of paint. For multiple scratches or major paint damage, replace immediately the affected panels.*



***Note:** The shine of the touch up paint might have a slight difference from the original pre painted steel.*

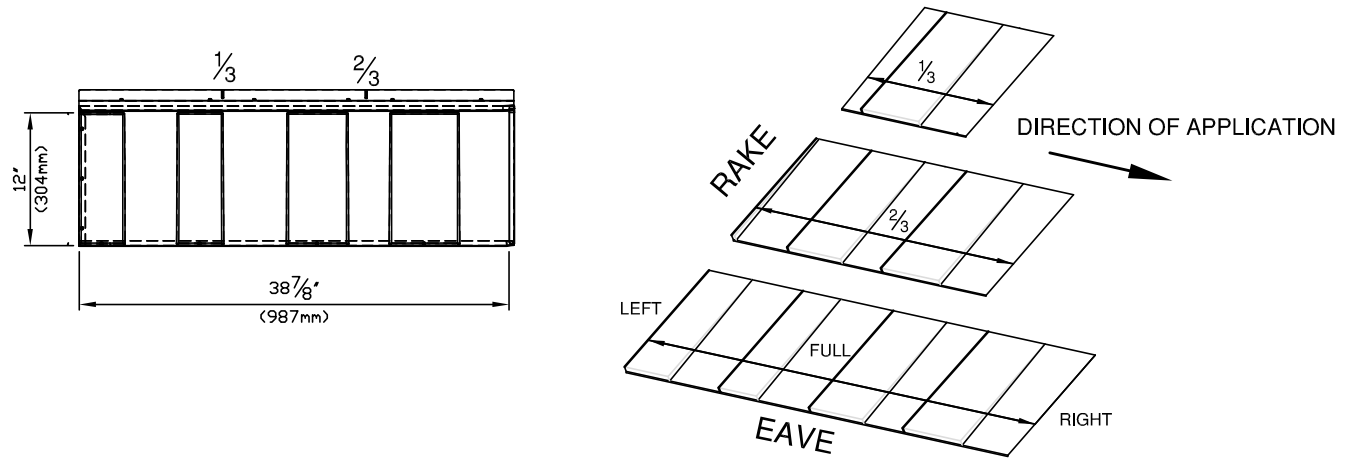
Important Notice

- *When ordering pre-painted “Wakefield Bridge” Steel Shingles, it is always preferable to order all items of the same color at the same time to avoid slight color differences between batches.*
- *The material should be checked against the shipping list as soon as it is received. Any damage or shortage of material on the bill of lading should be noted and reported to the driver or to our offices immediately.*
- *Do not use pressure treated lumber in direct contact with the “Wakefield Bridge”.*
- *Ideal Roofing will deliver the “Wakefield Bridge” steel shingles to its dealers only. No job site delivery will be done by Ideal Roofing.*

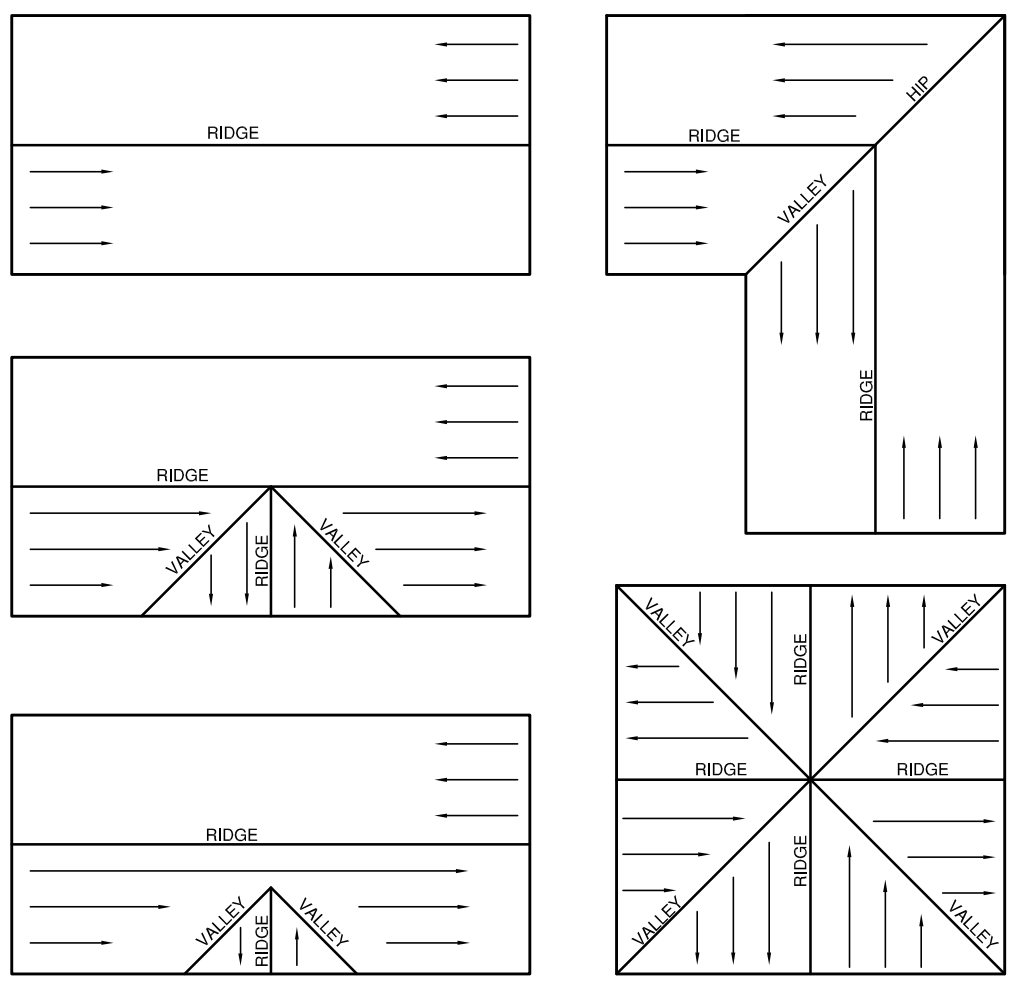


Direction of Application

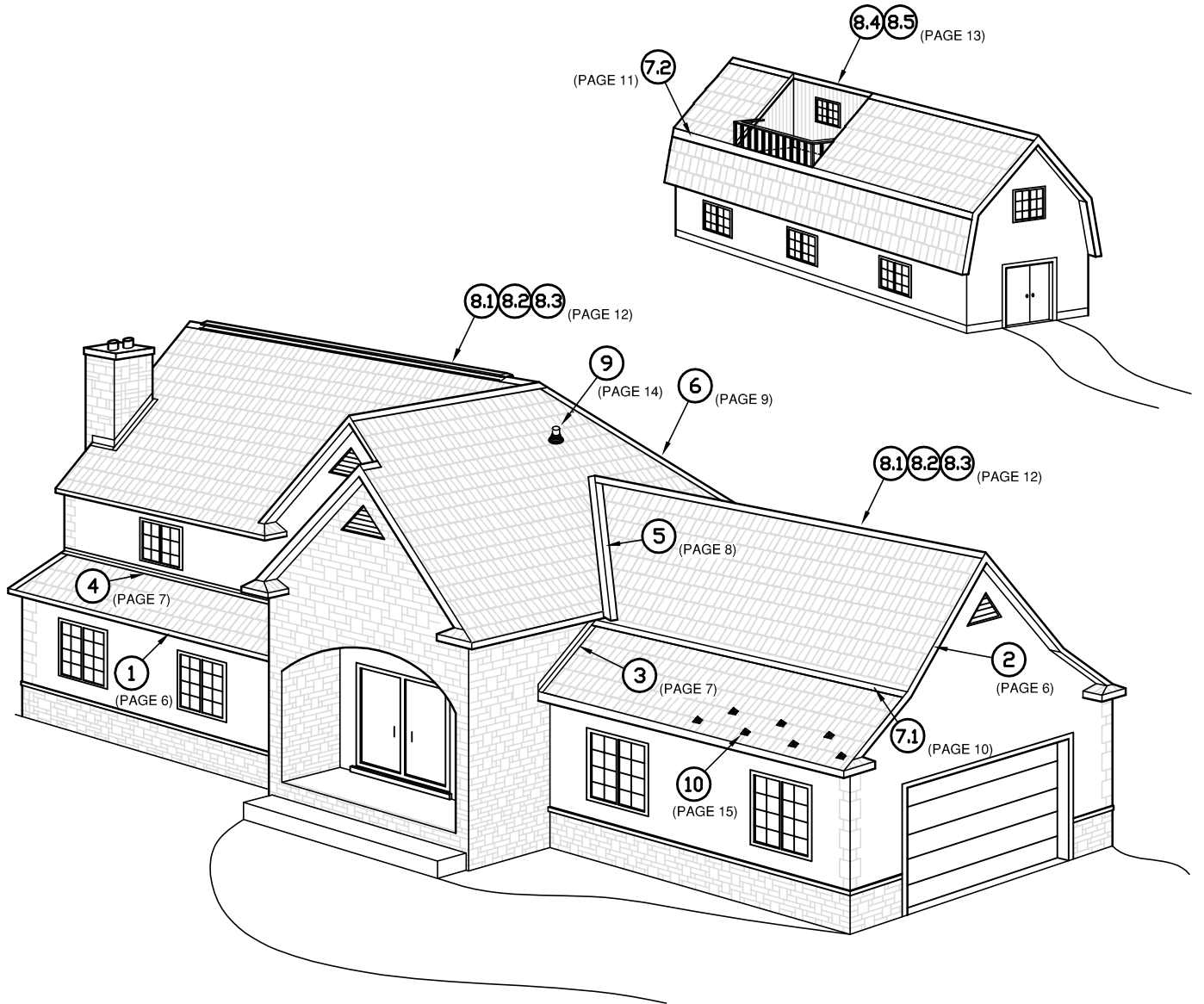
The "Wakefield Bridge" Steel Shingles must be installed from left to right. Ideal Roofing recommends (for aesthetic reasons only), to start with a full panel on the first row, 2/3 and 1/3 of panel to start the second and third row. Repeat the steps for the remainder of the roof section.



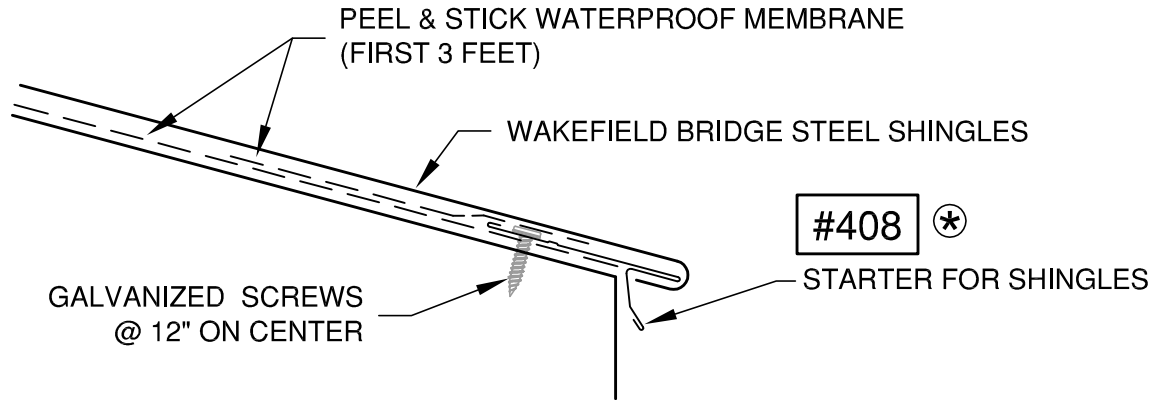
ROOF TYPES: PLAN VIEWS



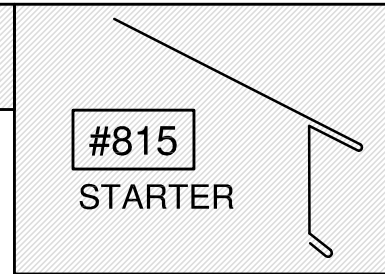
INSTALLATION DETAILS OVERVIEW



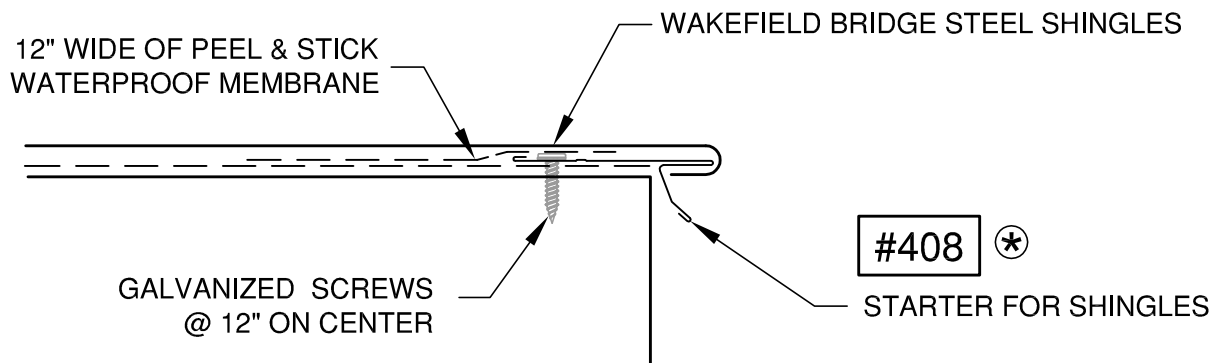
1 EAVE DETAIL



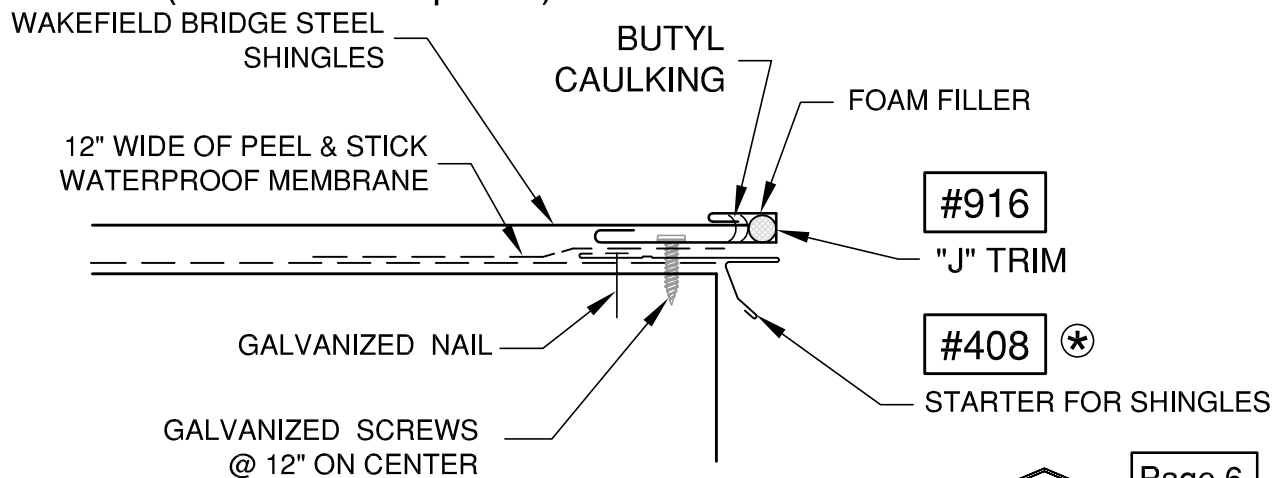
* FOR NEW CONSTRUCTION OR ON EXISTING SHINGLES, USE THE #815



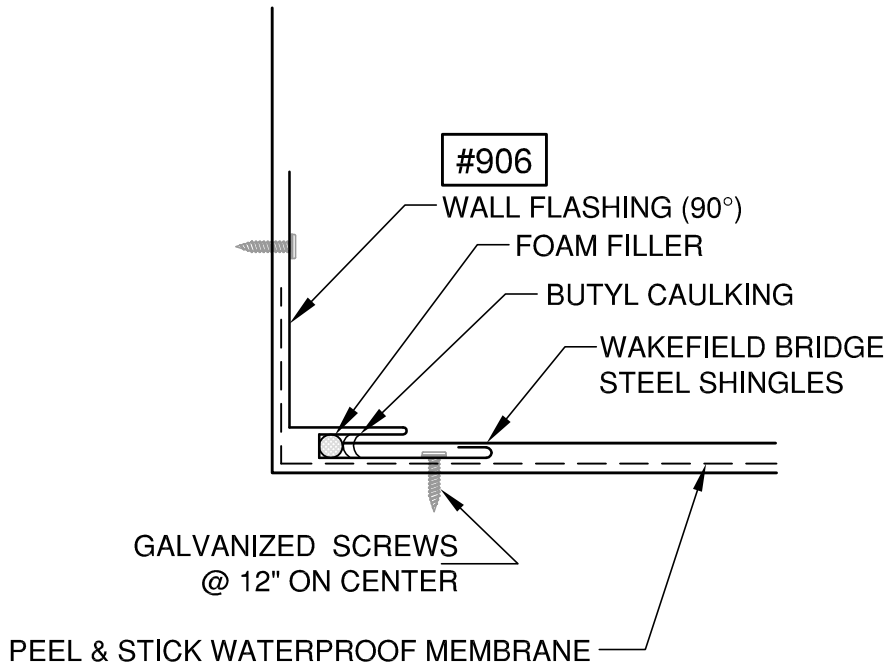
2.1 GABLE END DETAIL (first and last panel)



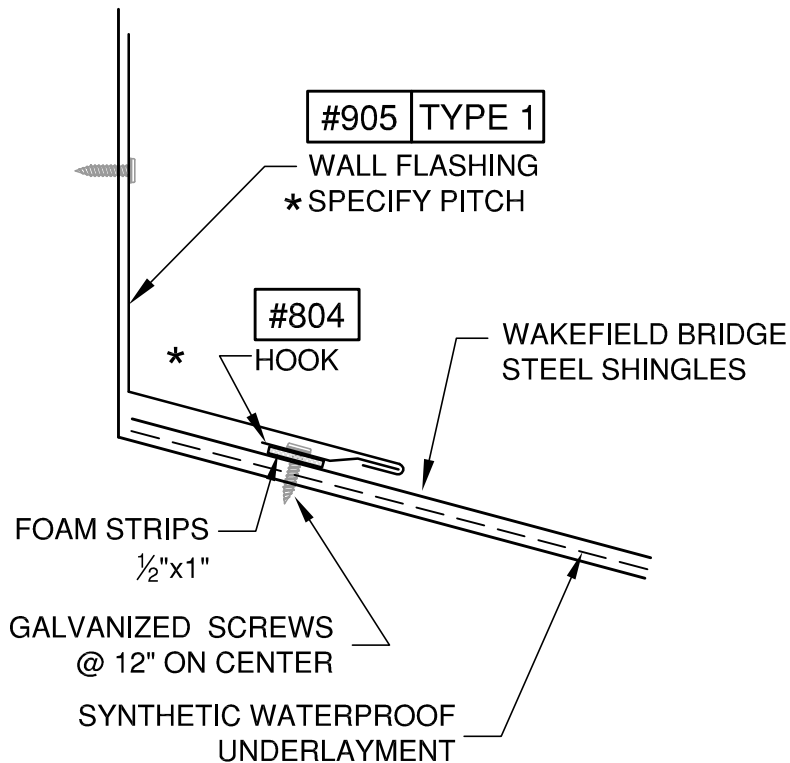
2.2 GABLE END DETAIL (first and last panel)



3 WALL FLASHING DETAIL (90°)



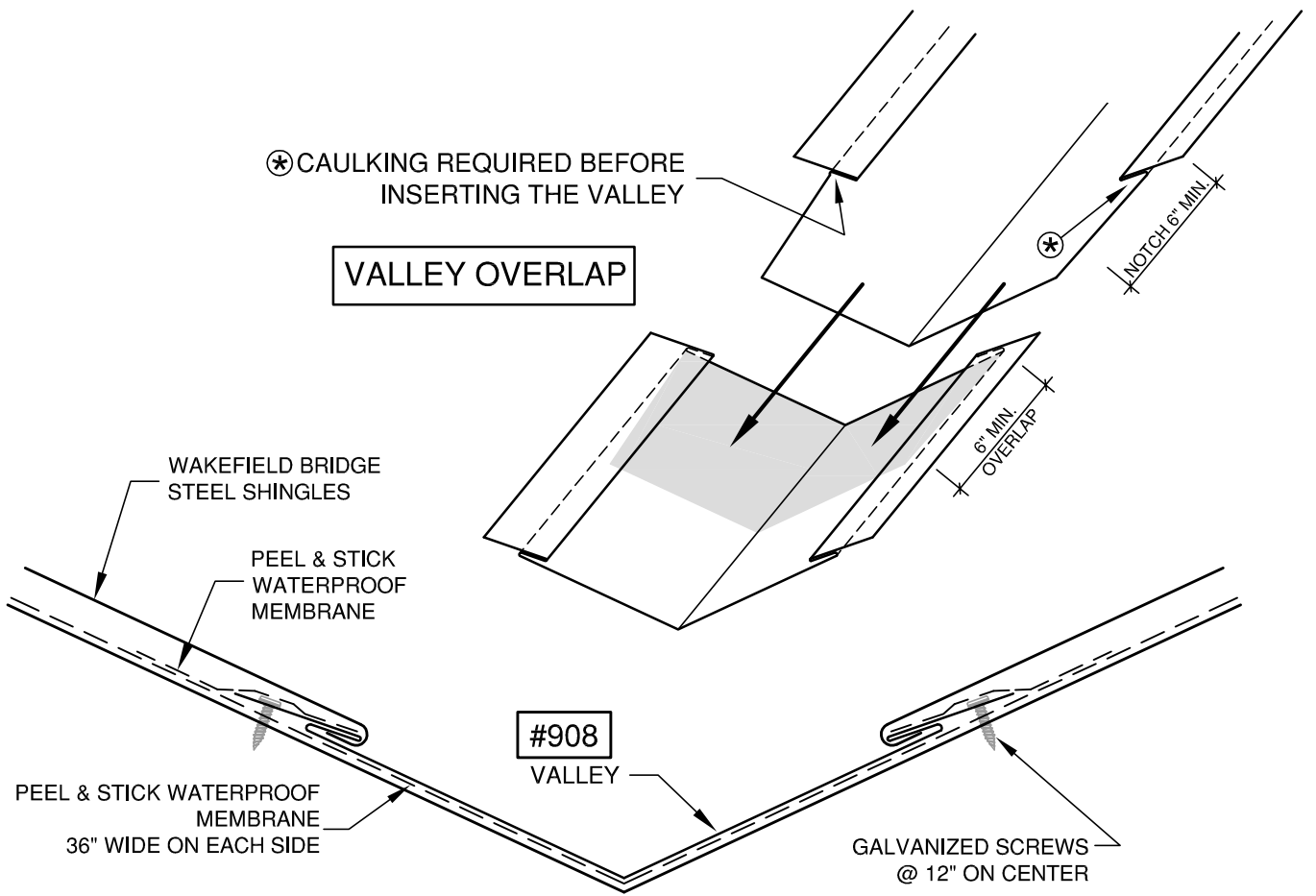
4 WALL FLASHING DETAIL (SLOPED)



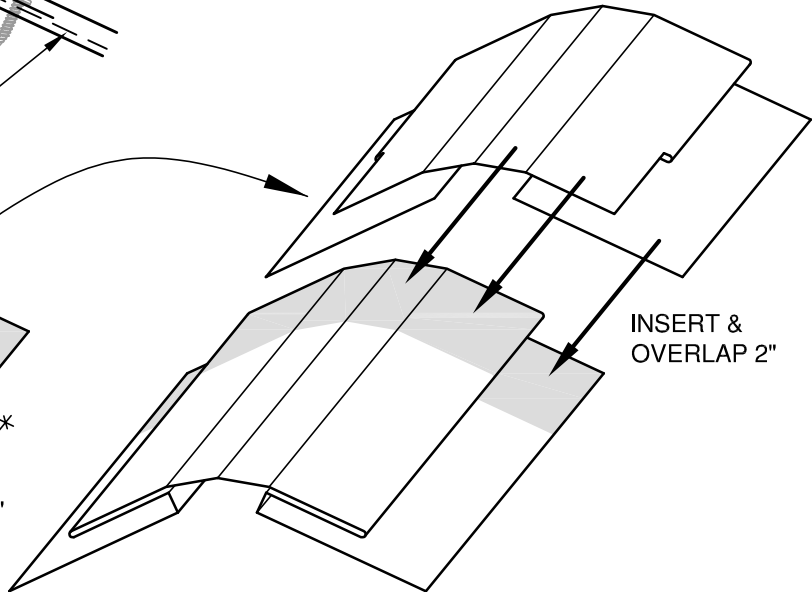
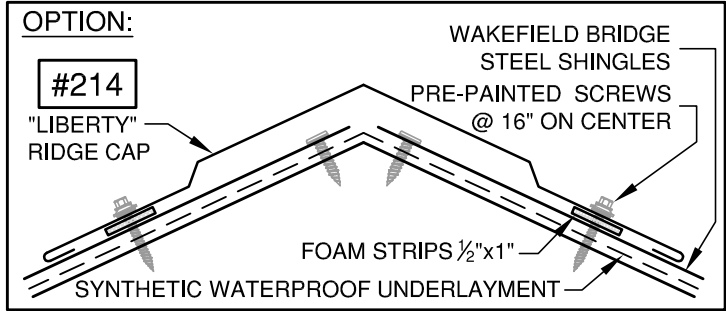
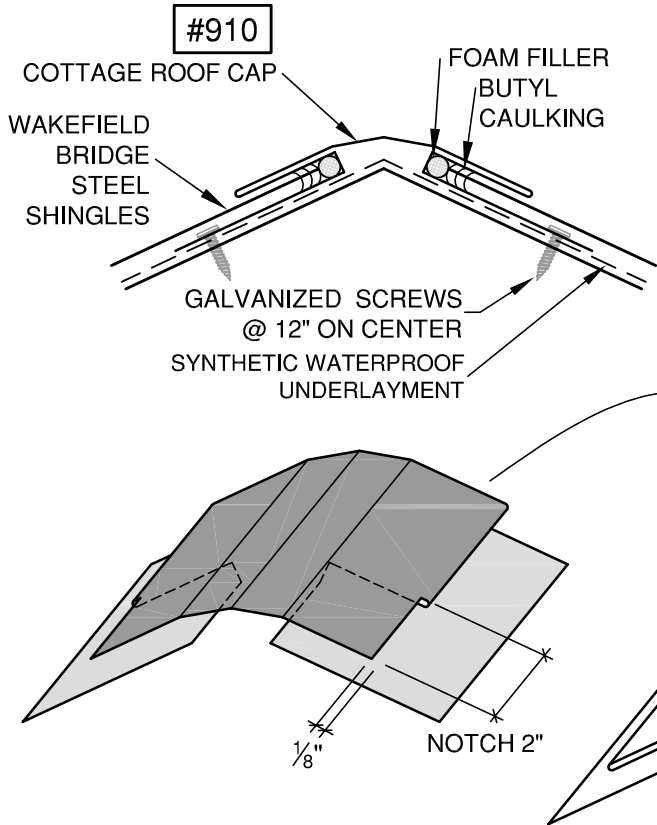
5

VALLEY DETAIL

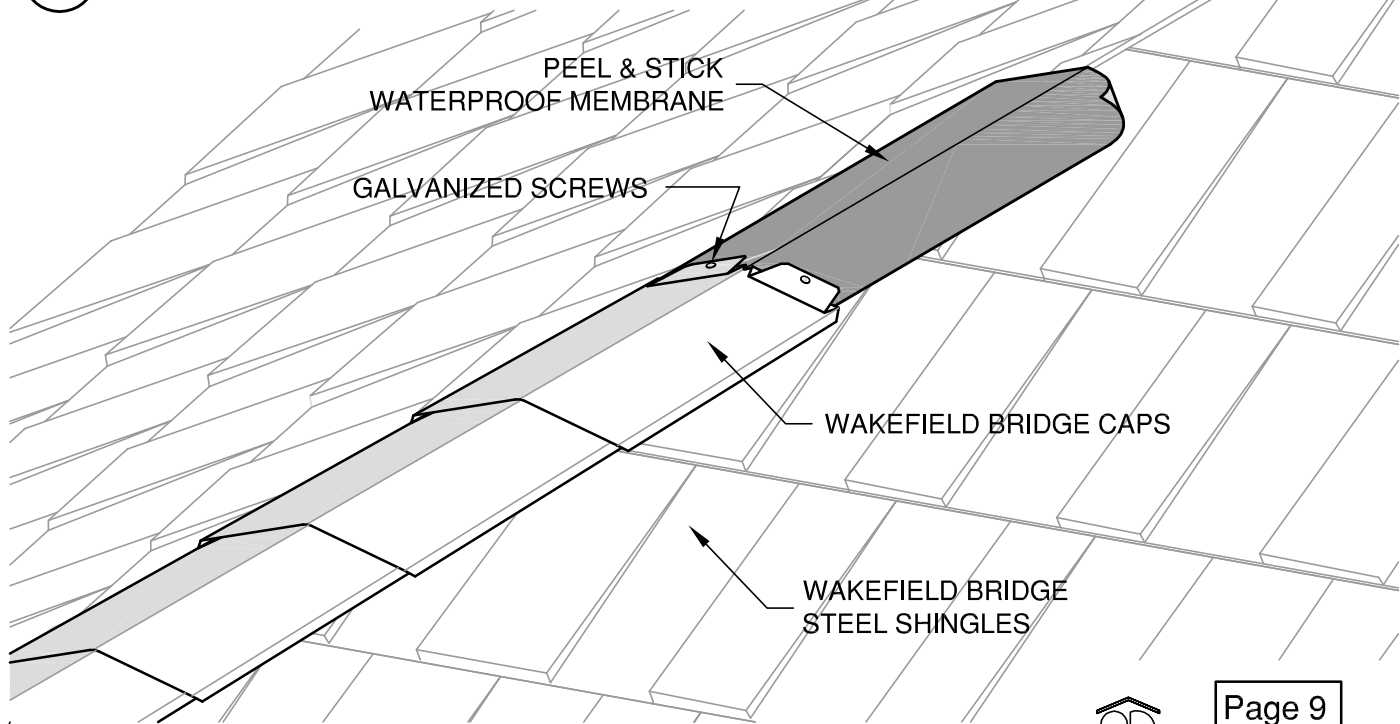
(SHINGLES FOLDED ON SITE)



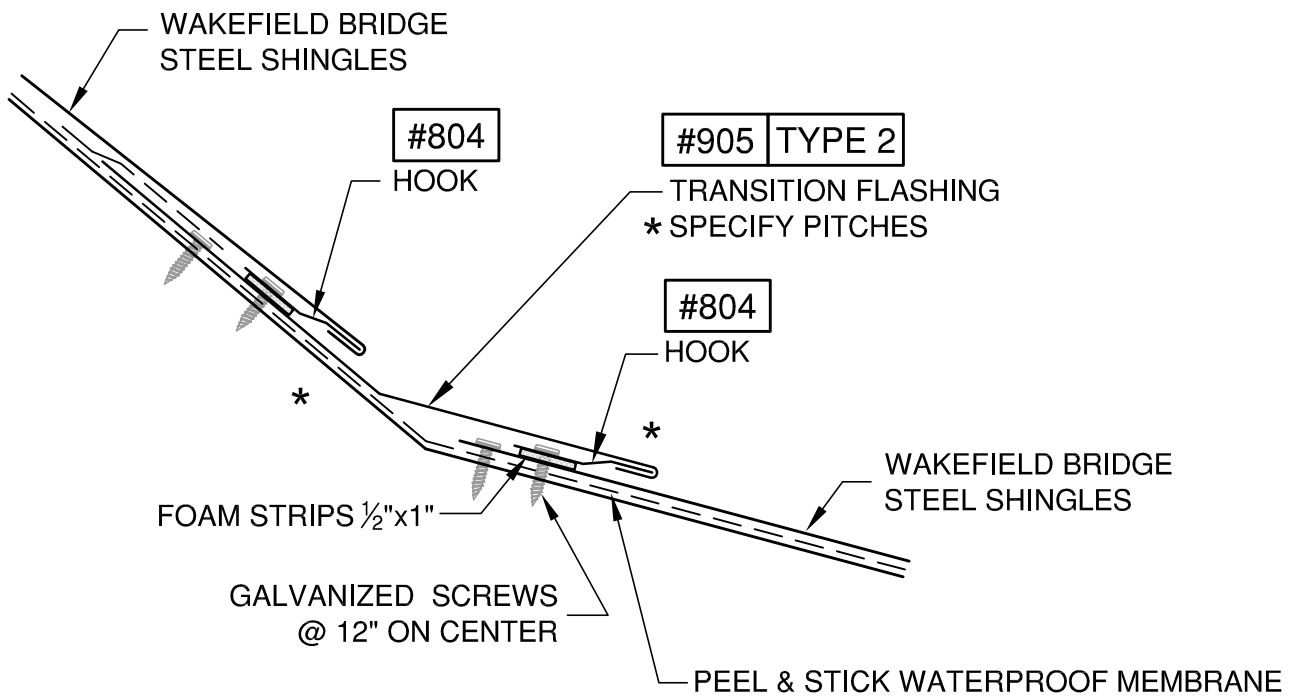
6.1 COTTAGE ROOF DETAIL



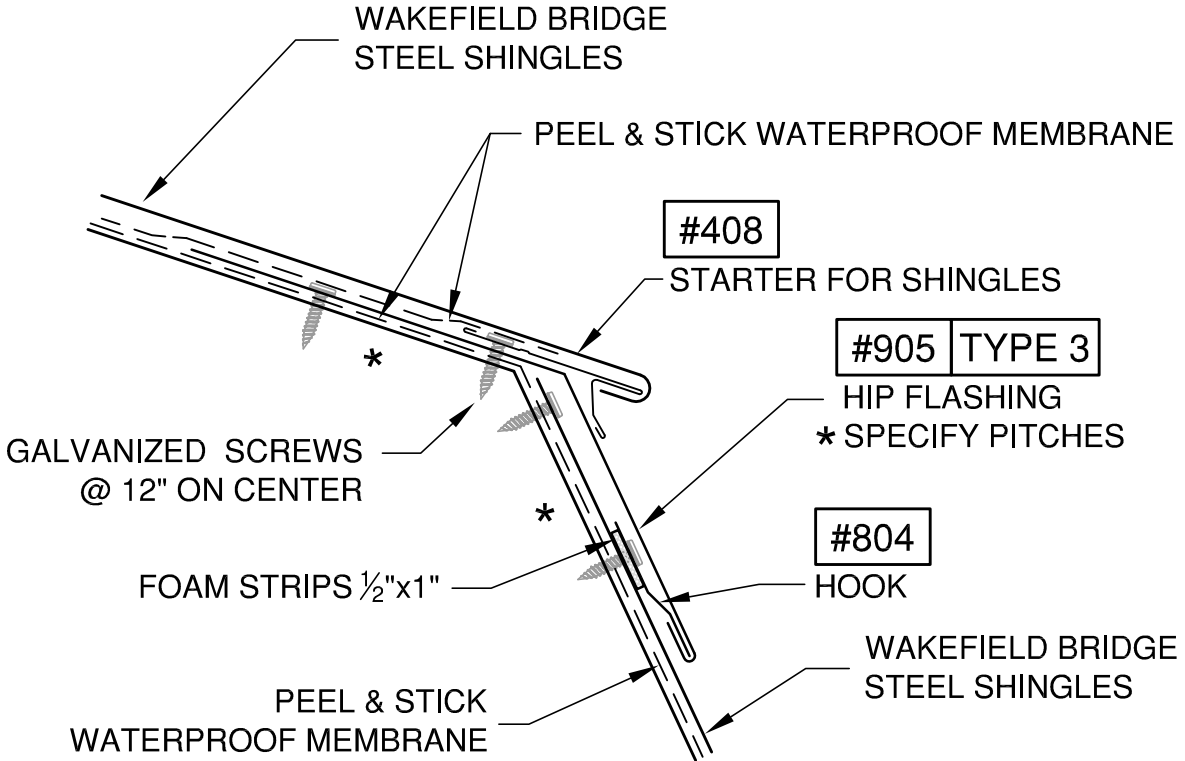
6.2 COTTAGE ROOF DETAIL



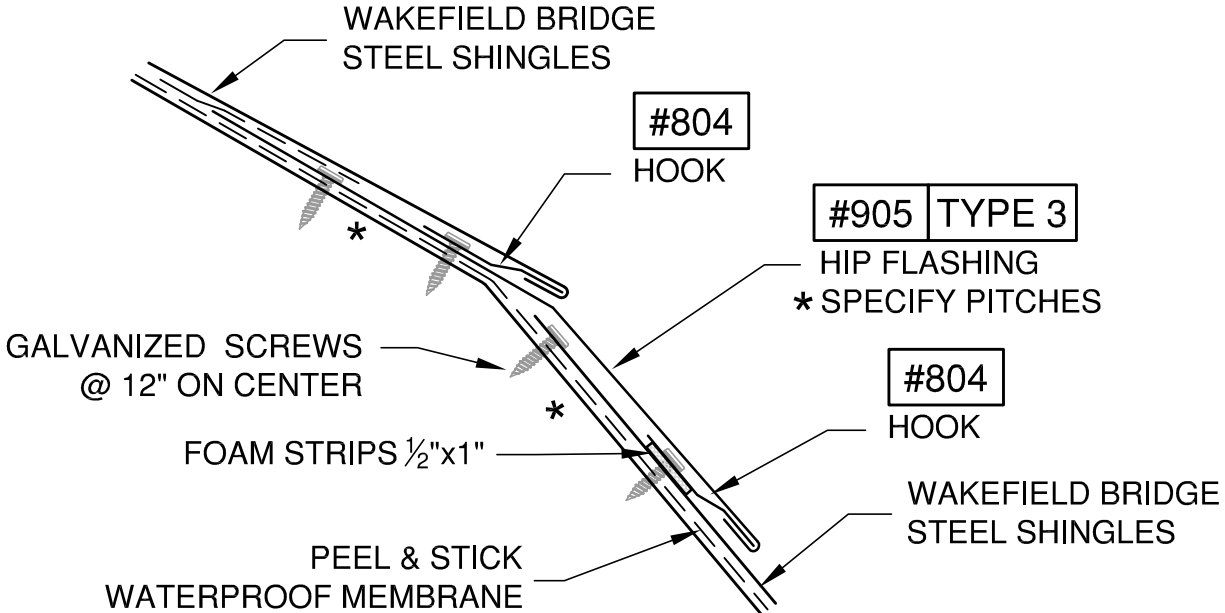
7.1 TRANSITION FLASHING DETAIL (high to low pitch)



7.2a TRANSITION FLASHING DETAIL (low to high pitch)

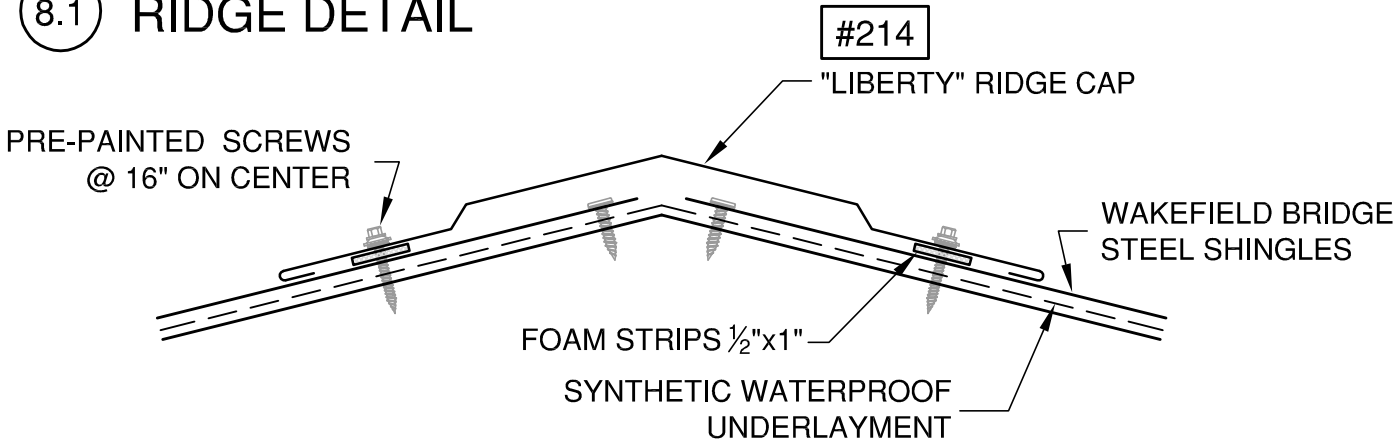


7.2b TRANSITION FLASHING DETAIL (low to high pitch)



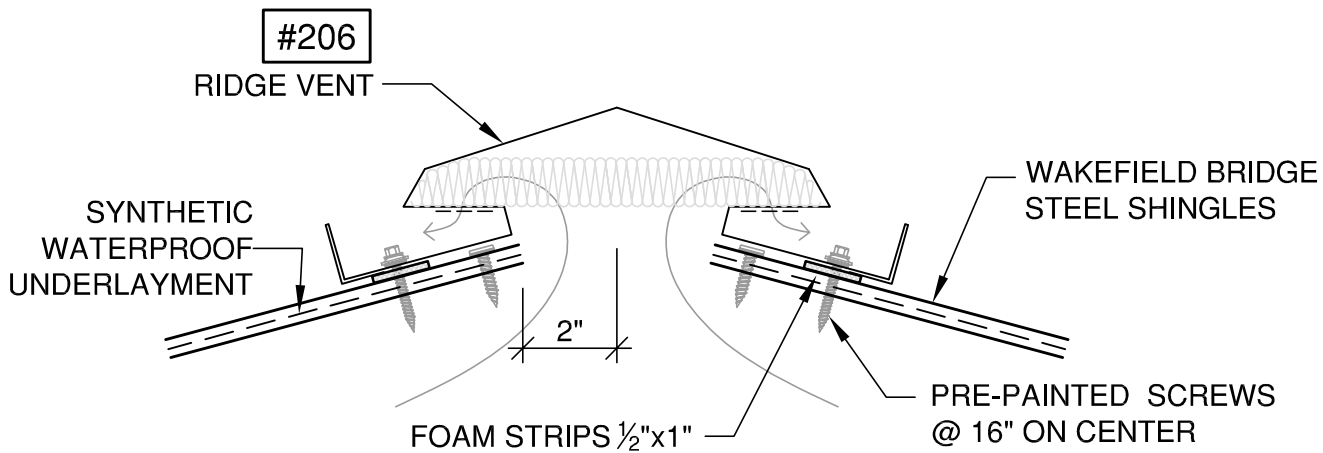
8.1

RIDGE DETAIL



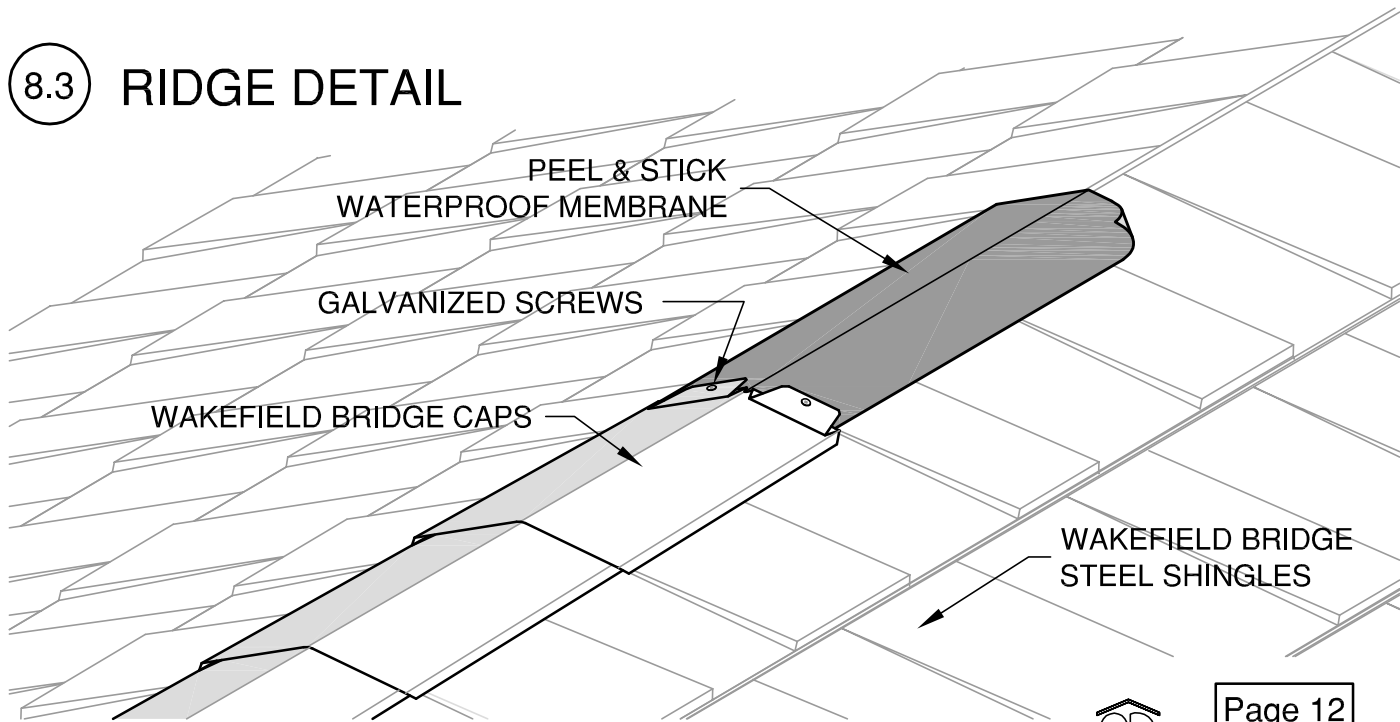
8.2

RIDGE DETAIL

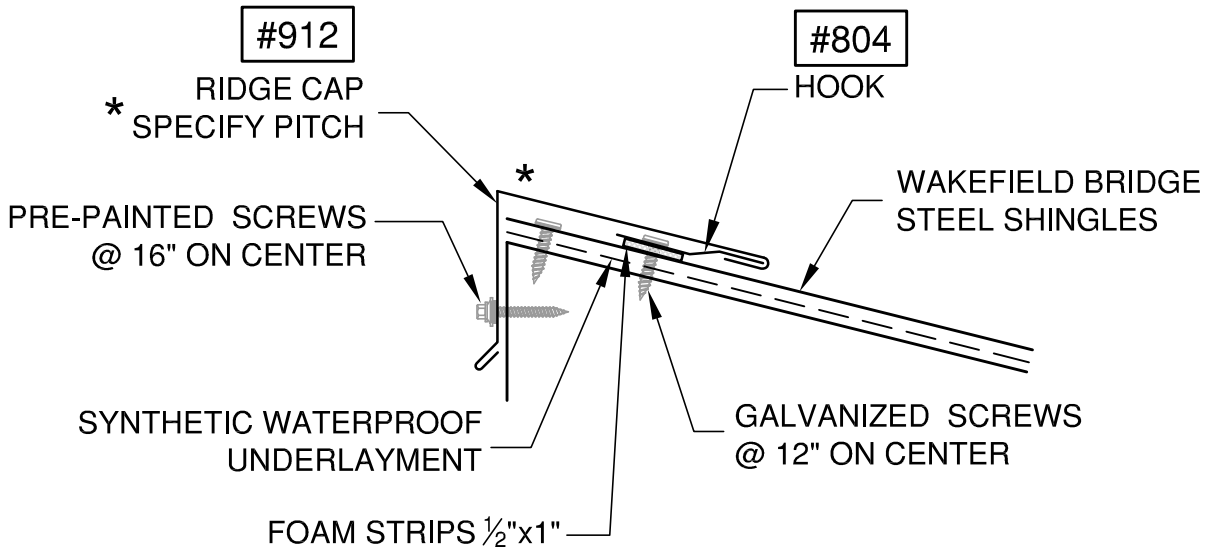


8.3

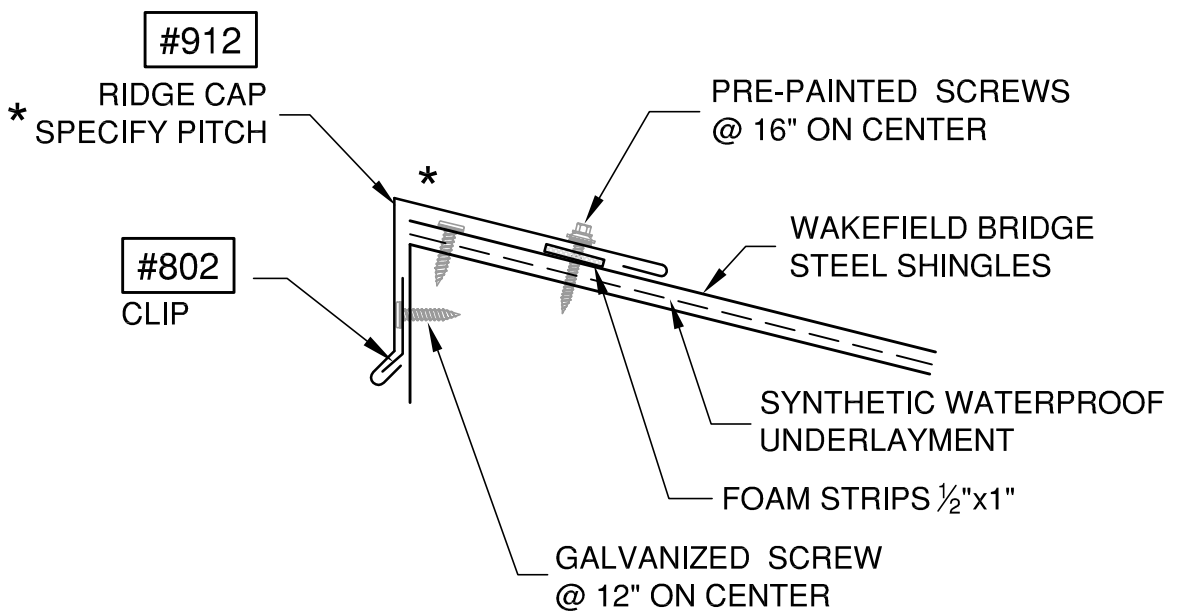
RIDGE DETAIL



8.4 HALF RIDGE CAP DETAIL

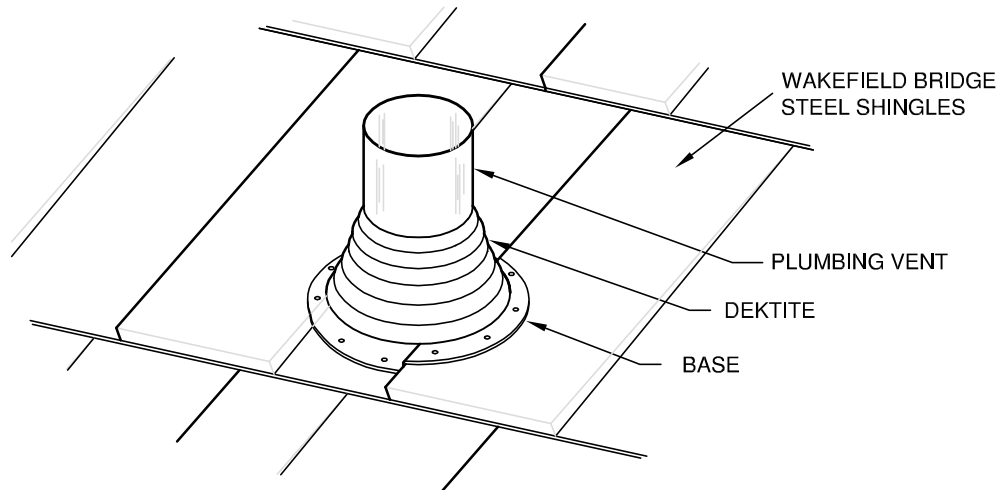


8.5 HALF RIDGE CAP DETAIL



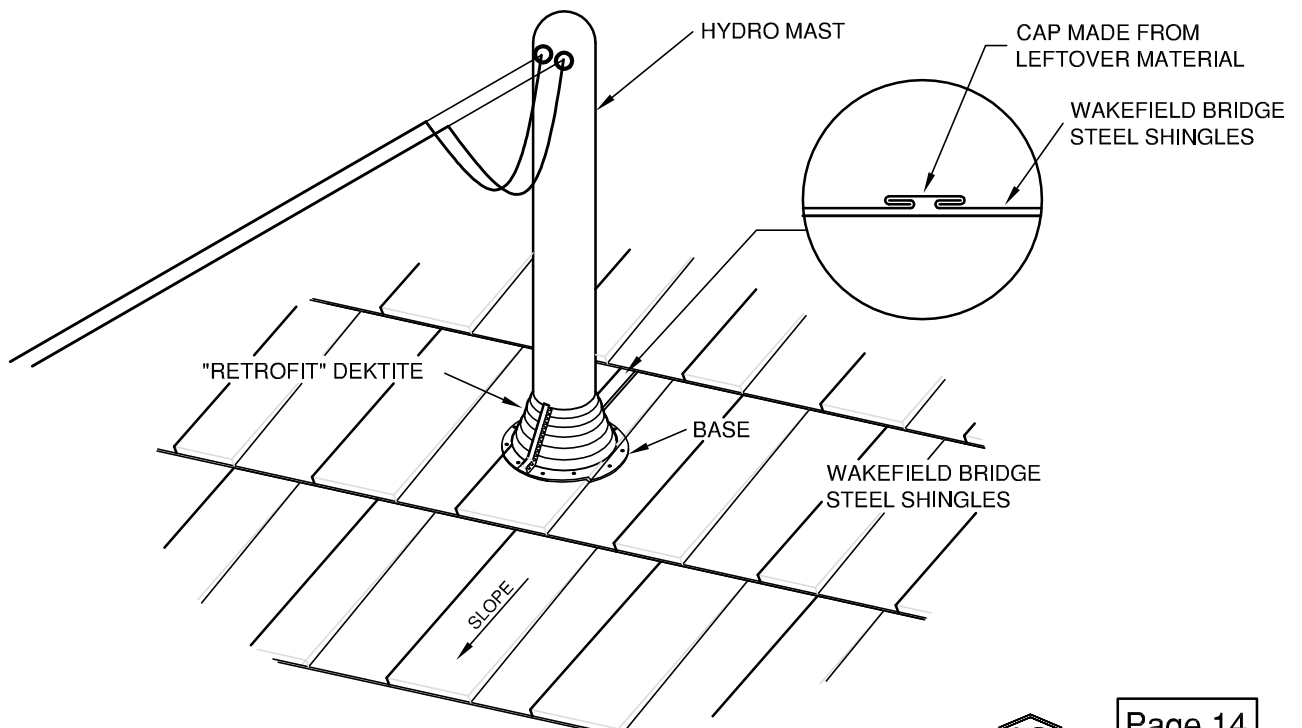
9.1 PLUMBING VENT DETAIL

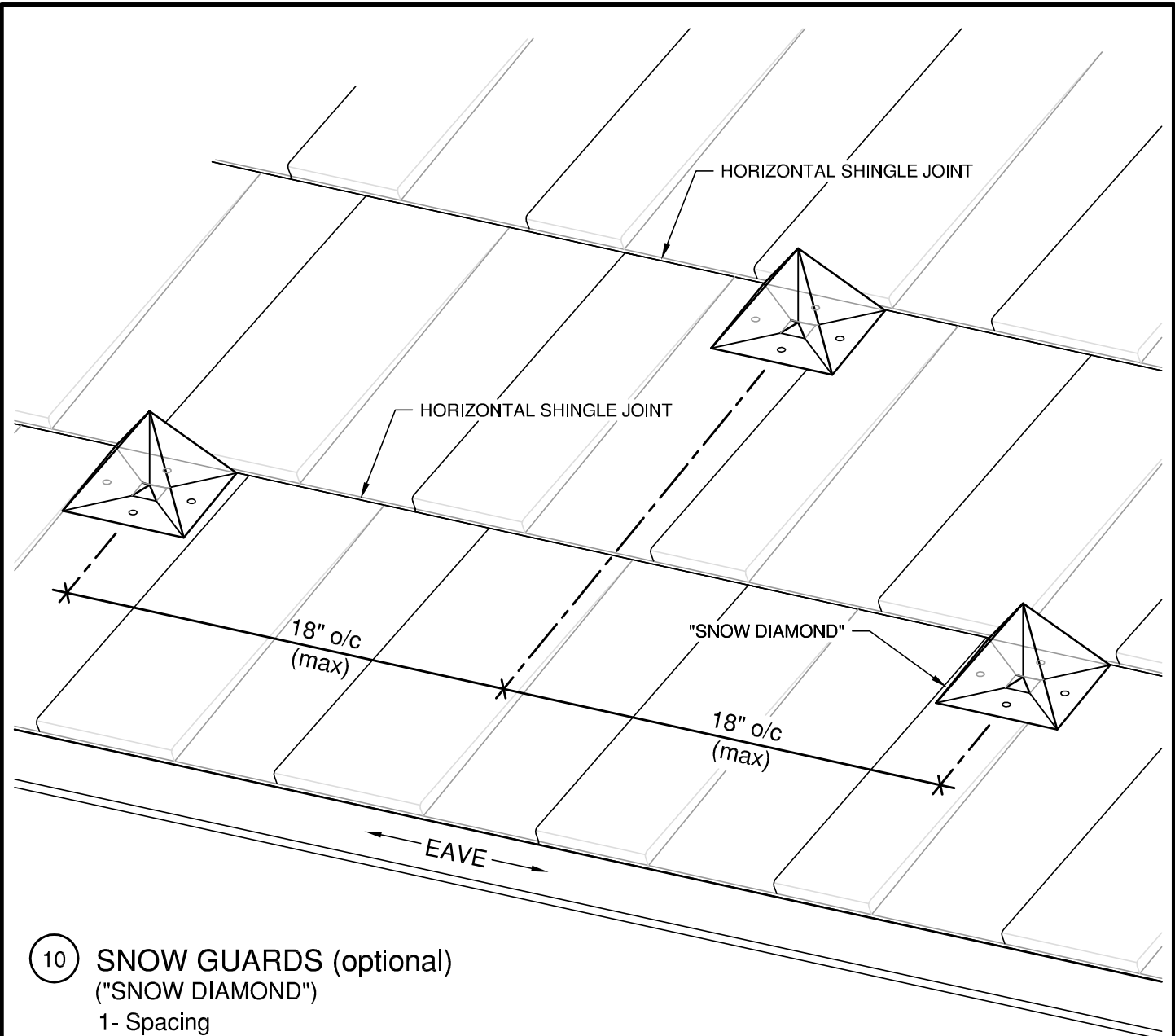
-ONCE THE STEEL SHINGLES ARE INSTALLED, CUT THE "DEKTITE" TO THE APPROPRIATE DIAMETER, AND SLIDE OVER PIPE. SECURE THE DEKTITE'S BASE WITH A SEALANT (BETWEEN THE BASE AND ROOFING) THEN FASTEN.



9.2 HYDRO MAST DETAIL

-ONCE THE STEEL SHINGLES ARE INSTALLED, CUT THE "RETROFIT DEKTITE" TO THE APPROPRIATE DIAMETER AND INSTALL AROUND THE HYDRO MAST. CLAMP THE FLASHING TOGETHER AND SECURE THE BASE WITH A SEALANT (BETWEEN THE BASE AND ROOFING) THEN FASTEN.





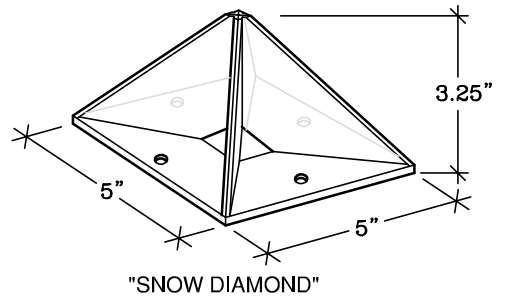
10 SNOW GUARDS (optional)
("SNOW DIAMOND")

1- Spacing

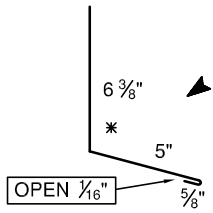
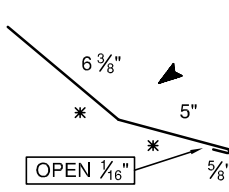
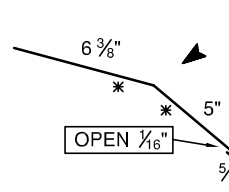
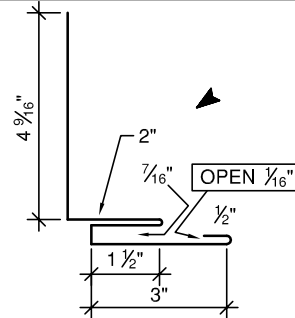
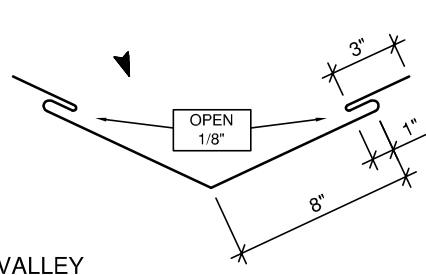
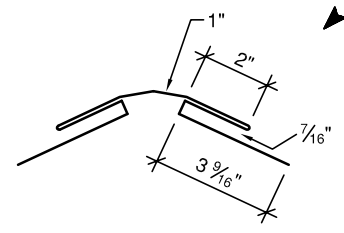
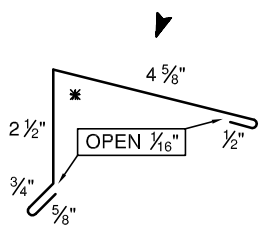
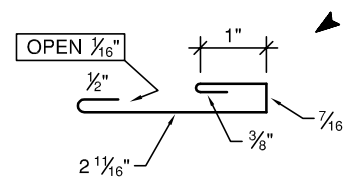
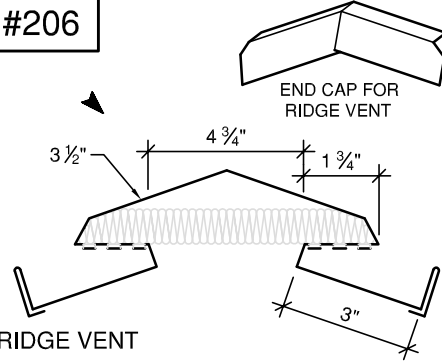
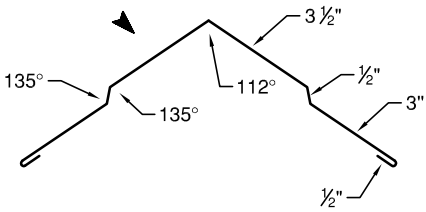
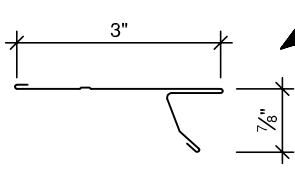
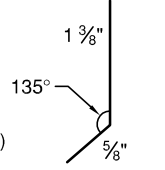
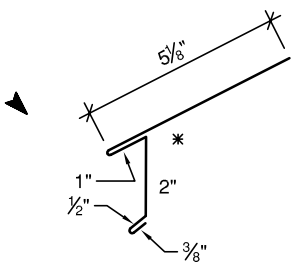
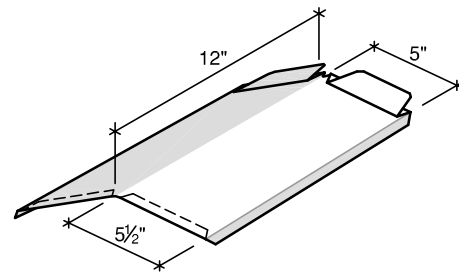
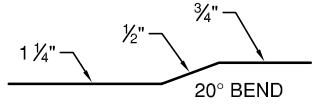
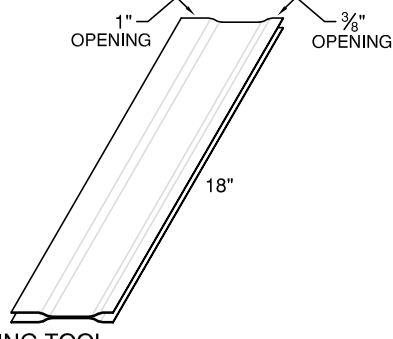
- "Snow Diamond" can be installed along the eaves, in areas where falling ice & snow is a concern.
- Install the "Snow Diamonds" up against a horizontal shingle joint, in 2 rows (staggered). Horizontal spacing should be 18" o/c (maximum).
- Note that the spacing between the "Snow Diamonds" may be reduced for steep roofs and/or roofs with long rafters.

2- Installation

- a) Spread bead of sealant evenly underneath the Snow Diamond's base.
- b) Place the Snow Diamond in position on metal surface by applying light and even pressure. Insure solid backing underneath the Snow Diamond.
- c) Use screws with neoprene washers through pilot holes in the Snow Diamond and tighten to cause approximately 50% compression in neoprene washers.
- d) Four screws to be used per Snow Diamond.

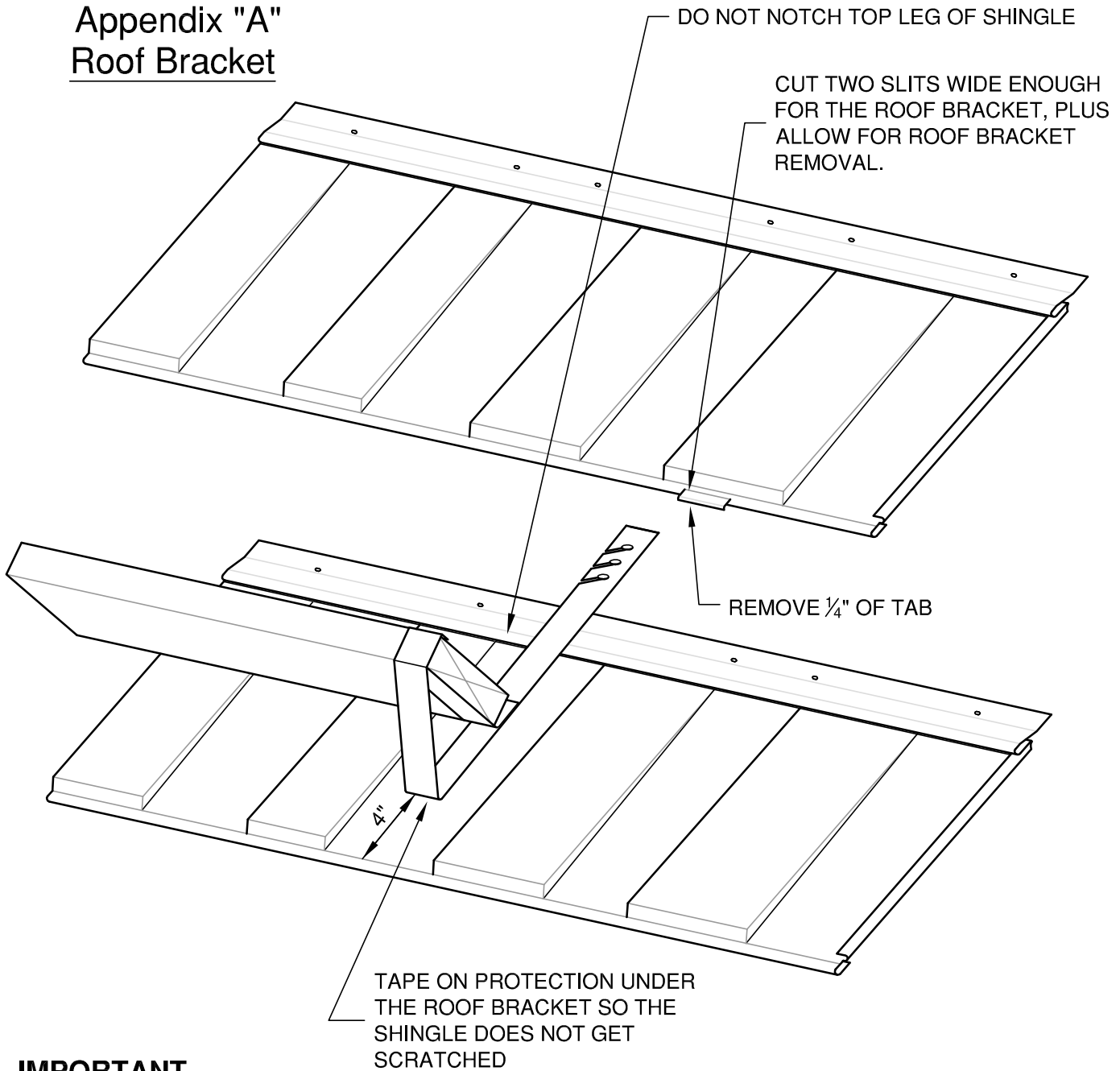


FLASHINGS AND TRIMS FOR THE WAKEFIELD BRIDGE STEEL SHINGLES

<p>#905 TYPE 1</p>  <p>WALL FLASHING (12" GIRTH) * SPECIFY PITCH</p>	<p>#905 TYPE 2</p>  <p>TRANSITION FLASHING (12" GIRTH) * SPECIFY PITCHES</p>	<p>#905 TYPE 3</p>  <p>HIP FLASHING (12" GIRTH) * SPECIFY PITCHES</p>	
<p>#906</p>  <p>WALL FLASHING (90°) (12" GIRTH)</p>	<p>#908</p>  <p>VALLEY (24" GIRTH)</p>	<p>#910</p>  <p>COTTAGE ROOF CAP (18" GIRTH)</p>	
<p>#912</p>  <p>HALF RIDGE CAP (9" GIRTH) *SPECIFY PITCH</p>	<p>#916</p>  <p>SPECIAL "J" TRIM (5" GIRTH)</p>	<p>#206</p>  <p>RIDGE VENT</p>	
<p>#214</p>  <p>"LIBERTY" RIDGE CAP (15" GIRTH)</p>	<p>#408</p>  <p>STARTER FOR SHINGLES</p>	<p>#802</p>  <p>CLIP (4" GIRTH, 26G, GALVANIZED) (TRIM TO 2")</p>	
<p>#815</p>  <p>EAVE STARTER (9" GIRTH) * SPECIFY PITCH (MAX. PITCH 12/12)</p>	<p>WAKEFIELD BRIDGE CAPS (30 PCS PER BUNDLE)</p> 	<p>#804</p>  <p>HOOK (4" GIRTH, 24G, GALVANIZED) (TRIM TO 2 1/2")</p>	
			<p>FOLDING TOOL</p> 



Appendix "A" Roof Bracket



IMPORTANT

SEE ROOF BRACKET INSTRUCTIONS FROM THE MANUFACTURER FOR PROPER USE AND MOUNTING INSTRUCTIONS REQUIRED.

THE FOLLOWING INSTRUCTIONS DESCRIBE THE INSTALLATION SEQUENCE.

- 1- INSTALL BOTTOM SHINGLE.
- 2- MOUNT ROOF BRACKET OVER TOP OF SHINGLE (SEE DIAGRAM).
- 3- REMOVE ROOF BRACKET WHEN DONE INSTALLING TOP SHINGLES.
- 4- AFTER REMOVING THE ROOF BRACKET, RAISE THE BOTTOM EDGE OF THE TOP SHINGLE WITH A CLAW HAMMER ON EACH SIDE OF TAB WHEN FOLDING TAB BACK IN BY HAND. DO FINAL TUCK WITH A NARROW NON-MARRING TOOL.

NOTE: ROOF BRACKETS ARE AVAILABLE IN BUILDING MATERIAL RETAILERS.



Page 17

BAR_SHI.DWG REV. MAR 4 '19



Estimate Sheet

(Wakefield Bridge Steel Shingles)

COMPANY: _____

CITY: _____

CONTACT: _____

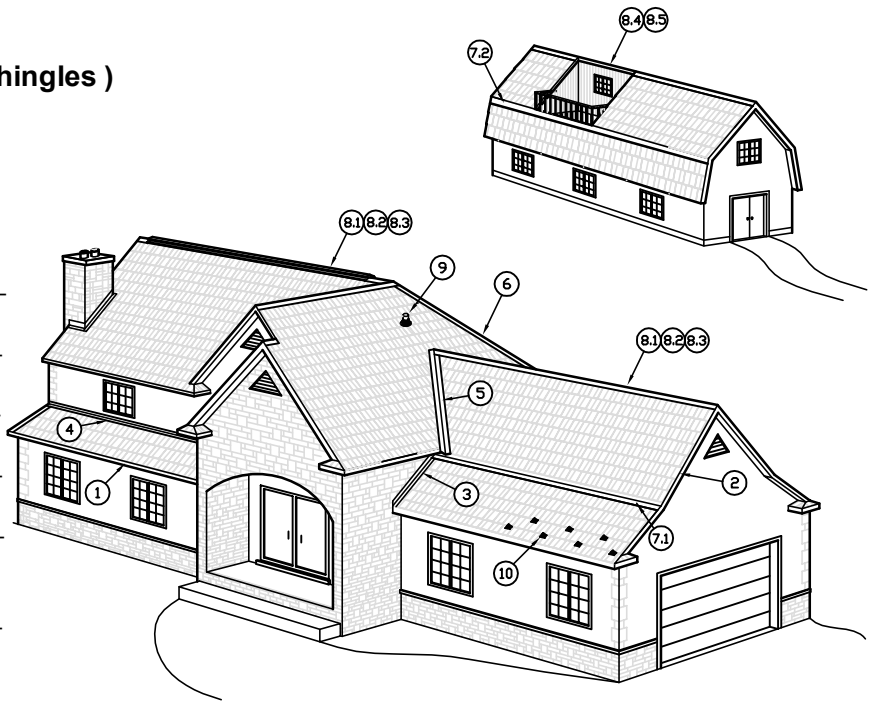
PHONE: _____

FAX: _____

EMAIL: _____

JOB NAME: _____

JOB ADDRESS: _____



Colour: _____

Steel Shingles

Total Roof Area _____ ÷ 50 = _____ Boxes

Total Boxes x \$ _____ per box = \$ _____

① Eave / Starter
 - Starter # 408 or # 815 (10 ft) Total Length _____ x \$ _____ per lin./ft = \$ _____

② Gable / Rake
 - Starter # 408 or # 815 (10 ft) Total Length _____ x \$ _____ per lin./ft = \$ _____

- "J" trim # 916 (10 ft) Total Length _____ x \$ _____ per lin./ft = \$ _____

③ Wall Detail 90°
 - # 906 (10 ft) Total Length _____ x \$ _____ per lin./ft = \$ _____

④ Wall Detail (slope)
 - # 905 TYPE 1 (10 ft) Total Length _____ x \$ _____ per lin./ft = \$ _____

- Hook # 804 (10 ft) Total Length _____ x \$ _____ per lin./ft = \$ _____

⑤ Valley Detail
 - Valley # 908 (10 ft) Total Length _____ x \$ _____ per lin./ft = \$ _____

⑥ Hip Detail
 - Cottage Roof Cap # 910 (10 ft) Total Length _____ x \$ _____ per lin./ft = \$ _____

- Wakefield Bridge Cap (30 pcs per bundle) Total Pieces _____ x \$ _____ per piece = \$ _____



(7.1) Transition Detail
 - # 905 TYPE 2 (10 ft) Total Length _____ x \$ _____ per lin./ft = \$ _____
 - Hook # 804 (10 ft) Total Length _____ x \$ _____ per lin./ft = \$ _____

(7.2) Transition Detail (Hip)
 - # 905 TYPE 3 (10 ft) Total Length _____ x \$ _____ per lin./ft = \$ _____
 - Hook # 804 (10 ft) Total Length _____ x \$ _____ per lin./ft = \$ _____

Ridge Details

(8.1) - "Liberty" Ridge
 Cap # 214 (10 ft) Total Length _____ x \$ _____ per lin./ft = \$ _____

(8.2) - Ridge Vent (10ft) Total Length _____ x \$ _____ per lin./ft = \$ _____
 - End cap for Ridge Vent (pcs) Total Pieces _____ x \$ _____ per piece = \$ _____

(8.3) - Wakefield Bridge Cap
 (30 pcs per bundle) Total Pieces _____ x \$ _____ per piece = \$ _____

(8.4)(8.5) - Half Ridge # 912 (10 ft) Total Length _____ x \$ _____ per lin./ft = \$ _____

(8.4) - Hook # 804 (10 ft) Total Length _____ x \$ _____ per lin./ft = \$ _____

(8.5) - Clip # 802 (10 ft) Total Length _____ x \$ _____ per lin./ft = \$ _____

Accessories

- Folding Tool Total Pieces _____ x \$ _____ per piece = \$ _____

- Backer Rod (25 ft roll) Total Rolls _____ x \$ _____ per roll = \$ _____

- Foam Strip (1/2"x1"x25') Total Length _____ x \$ _____ per lin./ft = \$ _____

- Butyl Caulking (300ml) Total Tubes _____ x \$ _____ per tube = \$ _____

- **Galvanized Screws 1" (flat head)** Total per/100 _____ x \$ _____ per/100 = \$ _____
 (min. 90 pcs / box shingles)

- **Galvanized Screws 1.5" (flat head)** Total per/100 _____ x \$ _____ per/100 = \$ _____
 (min. 90 pcs / box shingles)

- **Pre-Painted Screws 1.5"** Total per/100 _____ x \$ _____ per/100 = \$ _____

- Flat Sheet (4' x 10') Total Sheets _____ x \$ _____ per sheet = \$ _____

(9) - Dektite "pipe" (#3, #4 & #8) Total Pieces _____ x \$ _____ per piece = \$ _____

- Dektite "Chimney" (#8 HT) Total Pieces _____ x \$ _____ per piece = \$ _____

- Retrofit Dektite
 "Hydro Mast" (#802) Total Pieces _____ x \$ _____ per piece = \$ _____

- Touch Up Paint (10oz) Total Cans _____ x \$ _____ per can = \$ _____

(10) - Snow Diamond H=3.25" Total Pieces _____ x \$ _____ per piece = \$ _____

Total Material Cost \$ _____

Note: Consult our installation manual
 for more details on flashings
 and accessories.

